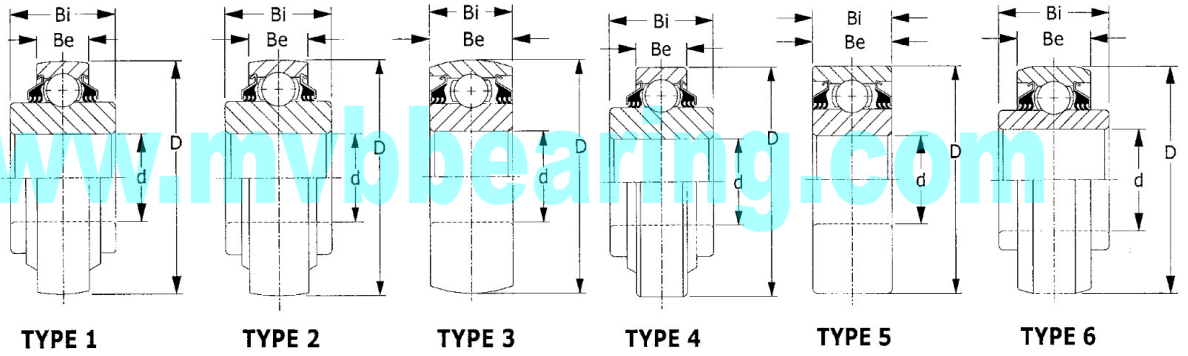




Heavy Duty Disc Harrow Bearings are made with triple lip seals to protect from corrosive environments. This seal is a one piece shroud cover with three molded contact seals. This series is lubricated for life.

[www.mvbbearing.com](http://www.mvbbearing.com)



XMVB Bearing No.	TYPE	d		D		Be		Bi		Load Rating (lbf)		Weight (lbs.)
		nominal	TOL+0/to minus shown	nominal	TOL+0/to minus shown	nominal	TOL+0/to minus shown	nominal	TOL+0/to minus shown	Dynamic	Static	
W208PPB2	1	1.5005	0.0005	3.1496	0.0005	0.7090	0.0050	1.6880	0.0050	7340	3650	1.59
		38.113	0.013	80.000	0.013	18.000	0.127	42.875	0.127			
W208PPB7	2	1.1880	0.0005	3.1496	0.0005	0.7090	0.0050	1.1880	0.0050	7340	3650	1.41
		30.175	0.013	80.000	0.013	18.000	0.127	30.175	0.127			
W208PP10	4	1.5005	0.0005	3.1496	0.0005	0.827	0.005	1.688	0.005	7340	3650	1.5
		38.113	0.013	80.000	0.013	21.000	0.127	42.875	0.127			
W208PPB10	1	1.5005	0.0005	3.1496	0.0005	0.8270	0.0050	1.6880	0.0050	7340	3650	1.59
		38.113	0.013	80.000	0.013	21.000	0.127	42.875	0.127			
W208PPB23	2	1.5005	0.0005	3.1496	0.0005	1.1880	0.0050	1.6880	0.0050	7340	3650	1.5
		38.113	0.013	80.000	0.013	30.175	0.127	42.875	0.127			
W209PPB2	3	1.7717	0.0005	3.3460	0.0006	1.1880	0.0050	1.1880	0.0050	7350	4150	1.45
		45.000	0.013	85.000	0.015	30.175	0.127	30.175	0.127			
W209PPB4	3	1.5350	0.0100	3.3460	0.0060	1.1880	0.0050	1.1880	0.0050	7350	4150	1.65
		39.000	0.254	85.000	0.015	30.175	0.127	30.175	0.127			
W210PP2	5	1.9380	0.0005	3.5433	0.0006	1.1880	0.0050	1.1880	0.0050	7880	4650	1.69
		49.225	0.013	90.000	0.015	30.175	0.127	30.175	0.127			
W210PPB2	3	1.9380	0.0005	3.5430	0.0006	1.1880	0.0050	1.1880	0.0050	7880	4650	1.56
		49.225	0.013	90.000	0.015	30.175	0.127	30.175	0.127			
W210PPB5	3	1.7850	0.0100	3.5430	0.0006	1.1880	0.0050	1.1880	0.0050	7880	4650	1.75
		45.339	0.254	90.000	0.015	30.175	0.127	30.175	0.127			
W210PP8	5	1.5300	0.0100	3.5433	0.0006	1.1880	0.0050	1.1880	0.0050	7880	4650	1.97
		38.862	0.254	90.000	0.015	30.175	0.127	30.175	0.127			
W210PPB9	2	1.9448	0.0070	3.5433	0.0006	0.9055	0.0050	1.4382	0.0050	7880	4650	1.91
		49.400	0.178	90.000	0.015	23.000	0.127	36.530	0.127			
W211PP2	5	2.1880	0.0006	3.9370	0.0006	1.3120	0.0050	1.3120	0.0060	9740	5850	2.33
		55.575	0.015	100.000	0.015	33.325	0.127	33.325	0.152			
W211PPB2	3	2.1880	0.0006	3.9370	0.0006	1.3120	0.0050	1.3120	0.0060	9740	5850	3
		55.575	0.015	100.000	0.015	33.325	0.127	33.325	0.152			
W211PPB4	6	2.1880	0.0006	3.9370	0.0006	1.3120	0.0050	2.1870	0.0060	9740	5850	3.63
		55.575	0.015	100.000	0.015	33.325	0.127	55.500	0.152			
W214PP2	5	2.7559	0.0006	4.9213	0.0008	1.5620	0.0050	1.5620	0.0060	14000	8800	4.19
		70.000	0.015	125.000	0.020	39.675	0.127	39.675	0.152			
W214PPB2	3	2.7559	0.0006	4.9213	0.0008	1.5620	0.0050	1.5620	0.0060	14000	8800	3.96
		70.000	0.015	125.000	0.020	39.675	0.127	39.675	0.152			
W214PPB9	3	2.7660	0.0010	4.9213	0.0008	1.1020	0.0050	1.7500	0.0060	14000	8800	3.96
		70.256	0.025	125.000	0.020	28.000	0.127	44.450	0.152			