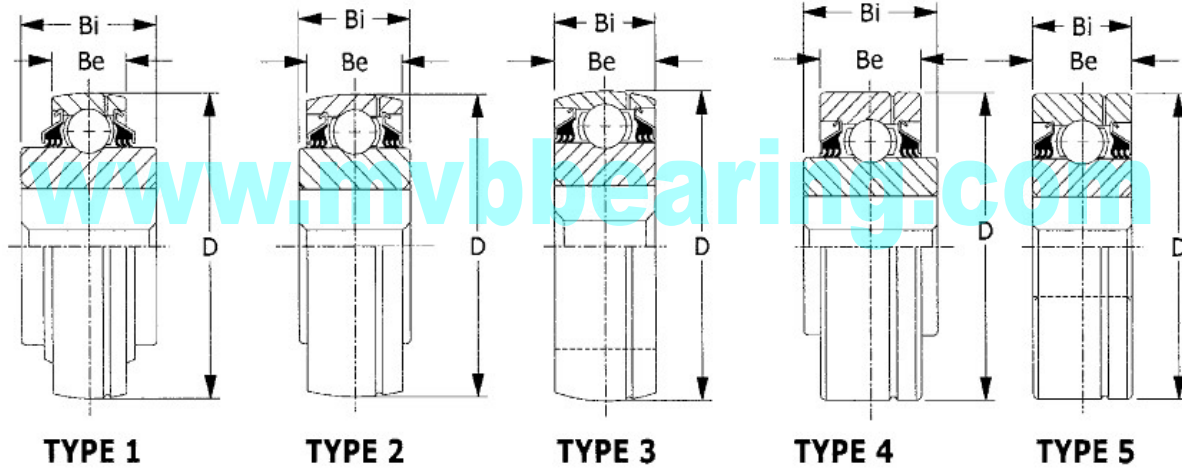


Heavy Duty Disc Harrow Bearings are made with triple lip seals to protect from corrosive environments. This seal is a one piece shroud cover with three molded contact seals. Standard relubrication feature is a drilled hole in groove.



XMVB Bearing No.	TYPE	Shaft Size	Max d	A		R	D		Be nominal	Bi nominal	Be&Bi TOL+0/ to minus	Load Rating (lbf)		Weight lbs.
				nominal	Tol. +/-		nominal	TOL+0/to minus shown				Dynamic	Static	
GW208PPB5	1	1 1/8 28.575	1.2360 31.394	1.1800 29.972	0.0050 0.127	0.1000 0.2540	3.1496 80.000	0.0005 0.013	0.8270 21.000	1.4380 36.525	0.0050 0.127	7340	3650	1.47
GW208PPB6	1	1 25.400	1.0940 27.788	1.0300 26.162	0.0050 0.127	0.1000 0.2540	3.1496 80.000	0.0005 0.013	0.8270 21.000	1.4380 36.525	0.005 0.127	7340	3650	1.75
GW208PPB8	2	1 1/8 28.575	1.2360 31.394	1.1800 29.972	0.0050 0.127	0.1000 0.2540	3.1496 80.000	0.0005 0.013	1.1880 30.175	1.4380 36.525	0.005 0.127	7340	3650	1.75
GW208PP17	4	1 1/8 28.575	1.2360 31.394	1.1800 29.972	0.0050 0.127	0.1000 0.2540	3.3755 85.738	0.0005 0.013	1.1880 30.175	1.4380 36.525	0.005 0.127	7340	3650	2.04
GW208PPB17	2	1 1/8 28.575	1.2360 31.394	1.1800 29.972	0.0050 0.127	0.1000 0.2540	3.3755 85.738	0.0005 0.013	1.1880 30.175	1.4380 36.525	0.005 0.127	7340	3650	2.04
GW209PPB5	2	1 1/4 31.75	1.3700 34.798	1.2900 32.776	0.0050 0.127	0.1000 2.540	3.3465 85.000	0.0006 0.015	1.1880 30.175	1.4380 36.525	0.0050 0.127	7350	4150	1.75
GW209PPB8	1	1 1/4 31.750	1.3700 34.798	1.2900 32.776	0.0050 0.127	0.1000 2.540	3.3465 85.000	0.0006 0.015	0.8660 22.000	1.4380 36.525	0.0050 0.127	7350	4150	1.65
GW210PP4	5	1 1/8 28.575	1.2360 31.394	1.1800 29.972	0.0050 0.127	0.1000 2.540	3.5433 90.000	0.0006 0.015	1.1880 30.175	1.1880 30.175	0.0050 0.127	7880	4650	2.31
GW210PPB4	3	1 1/8 28.575	1.2360 31.394	1.1800 29.972	0.0050 0.127	0.1000 2.540	3.5433 90.000	0.0006 0.015	1.1880 30.175	1.1880 30.175	0.0050 0.127	7880	4650	1.75
GW211PP3	5	1 1/2 38.100	1.6220 41.199	1.5311 38.890	0.0050 0.127	0.1000 2.540	3.9370 100.000	0.0006 0.015	1.1320 33.325	1.3120 33.325	0.0060 0.152	9740	5850	2.79
GW211PPB3	3	1 1/2 38.100	1.6220 41.199	1.5311 38.890	0.0050 0.127	0.1000 2.540	3.9370 100.000	0.0006 0.015	1.1320 33.325	1.3120 33.325	0.0060 0.152	9740	5850	2.66
GW211PP5	4	1 1/2 38.100	1.6220 41.199	1.5311 38.890	0.0050 0.127	0.1000 2.540	4.0000 101.600	0.0006 0.015	1.4380 36.525	1.7500 44.450	0.0060 0.152	9740	5850	2.69
GW211PP17	4	1 1/2 38.1	1.6220 41.199	1.5311 38.890	0.0050 0.127	0.1000 2.540	3.9370 100.000	0.0006 0.015	1.3120 33.325	1.7500 44.450	0.0060 0.152	9740	5850	2.62
GW211PPB17	1	1 1/2 38.1	1.6220 41.199	1.5311 38.890	0.0050 0.127	0.1000 2.540	3.9370 100.000	0.0006 0.015	1.3120 33.325	1.7500 44.450	0.0060 0.152	9740	5850	2.55
GW214PPB4	3	2 50.8	2.1610 54.889	2.0551 52.200	0.0050 0.127	0.1000 2.540	4.9213 125.000	0.0008 0.020	1.5620 39.675	1.5620 39.675	0.0060 0.152	14000	8800	4.75
GW216PP2	4	2 1/4 57.150	2.6850 68.200	2.3150 58.800	0.0050 0.127	0.1000 2.540	5.5118 140.000	0.0008 0.020	1.1810 30.000	2.5000 63.500	0.0600 0.152	16280	10400	6.32
GW216PPB4	3	1 3/4 44.400	2.6850 68.200	2.3150 58.800	0.0050 0.127	0.1000 2.540	5.5118 140.000	0.0008 0.020	1.1810 30.000	2.5000 63.500	0.0600 0.152	16280	10400	6.32
GW216PPB2	2	2 1/4 57.150	2.6850 68.200	2.3150 58.800	0.0050 0.127	0.1000 2.540	5.5118 140.000	0.0008 0.020	1.1810 30.000	2.5000 63.500	0.0600 0.152	16280	10400	6.32