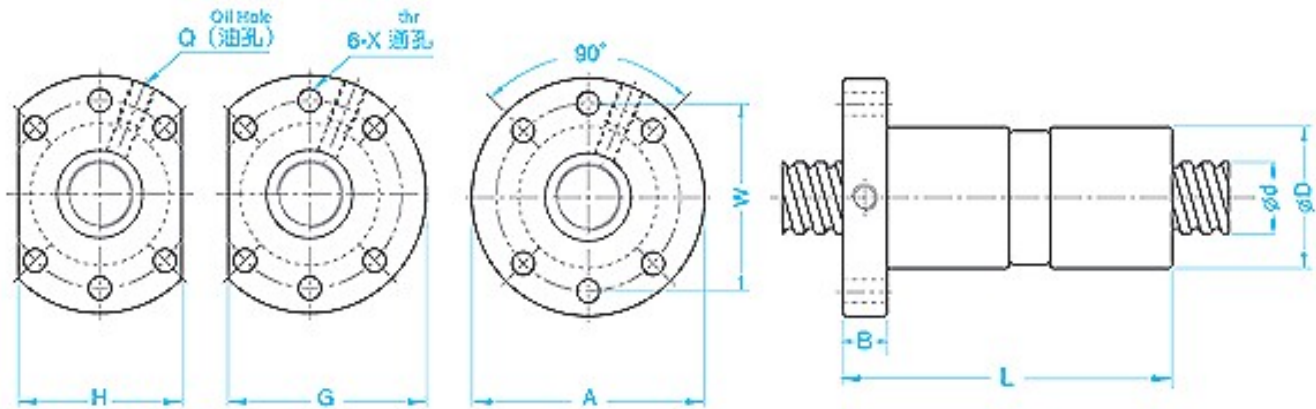


Ball Screw 滚珠丝杠副

DFU Series (DIN 69051 FORM B)



l: Lead Da: Ball Dia. n: Number of circuits K: Stiffness (kgf/μm)

Ca: Basic Dynamix Rating Load (kgf) Coa: Basic Static Rating Load (kgf)

Model No.	Dimensions															
	d	l	Da	D	A	B	L	W	X	G	H	Q	n	Ca	Coa	K
DFU1605-4	16	5	3.175	28	48	10	100	38	5.5	44	40	M6	4	780	1790	36
DFU1610-3	16	10	3.175	28	48	10	118	38	5.5	44	40	M6	3	509	833	31
DFU2005-4	20	5	3.175	36	58	10	101	47	6.6	51	44	M6	4	1130	2380	52
DFU2505-4	25	5	3.175	40	62	10	101	51	6.6	55	48	M6	4	1280	3110	64
DFU2510-4	25	10	4.762	40	62	12	145	51	6.6	55	48	M6	4	1071	1938	60
★ DFU3205-4	32	5	3.175	50	80	12	102	65	9	71	62	M6	4	1450	4150	80
★ DFU3210-4	32	10	6.35	50	80	12	162	65	9	71	62	M6	4	3390	7170	79
★ DFU4005-4	40	5	3.175	63	93	14	105	78	9	81.5	70	M8	4	1610	5330	98
DFU4010-4	40	10	6.35	63	93	14	165	78	9	81.5	70	M8	4	3910	9520	99
DFU5010-4	50	10	6.35	75	110	16	171	93	11	97.5	85	M8	4	4450	12500	122
★ DFU6310-4	63	10	6.35	90	125	18	182	108	11	110	95	M8	4	5070	16600	154
★ DFU8010-4	80	10	6.35	105	145	20	182	125	13.5	127.5	110	M8	4	5620	21300	187

Note: with sign ★ can produce left helix

MVB Power-Star Bearing Industry Co., Ltd.

Tel: +86-592-523 0986 Fax: +86-592-376 1975

Url: www.mvbbearing.com

Email: vivy@mvbbearing.com ; mvbbearing@gmail.com