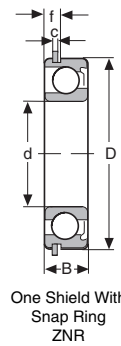
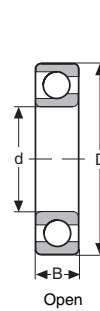




MVB Power-Star Bearing Co.
 Url: www.mvbbearing.com
 Email: vivy@mvbbearing.com
mvbbearing@gmail.com
 Tel: +86-592-523 0986
 Fax: +86-592-376 1975



DEEP GROOVE BALL BEARINGS - WITH FILLING SLOT (MAX. CAPACITY)

MVB No.	Dimensions (Metric)			Approx. Wgt. (lbs.)	Interchange						
	d	D	B		FAG	FAF	FED	MRC	ND	NTN	SKF
202	15	35	11	.120	-	202W	-	202-M	-	-	-
203	17	40	12	.150	203	-	-	203-M	-	-	-
204	20	47	14	.250	204	204W	1204 M	204-M	-	-	-
205	25	52	15	.310	205	205W	1205 M	205-M	-	BL 205	-
206	30	62	16	.460	206	206W	1206 M	206-M	1206	BL 206	206
207	35	72	17	.670	207	207W	1207 M	207-M	1207	BL 207	207
208	40	80	18	.870	208	208W	1208 M	208-M	1208	BL 208	208
209	45	85	19	.960	209	209W	1209 M	209-M	1209	BL 209	209
210	50	90	20	1.090	210	210W	1210 M	210-M	1210	BL 210	210
211	55	100	21	1.450	211	211W	1211 M	211-M	1211	BL 111	211
212	60	110	22	1.650	212	212W	1212 M	212-M	1212	BL 212	212
213	65	120	23	2.360	213	213W	1213 M	213-M	1213	BL 213	213
214	70	125	24	2.580	214	214W	1214 M	214-M	1214	BL 214	214
215	75	130	25	2.780	215	215W	1215 M	215-M	1215	BL 215	215
216	80	140	26	3.440	216	216W	1216 M	216-M	1216	BL 216	216
*217	85	150	28	4.300	217	217W	1217 M	217-M	1217	BL 217	217
*218	90	160	30	5.190	218	218W	1218 M	218-M	1218	BL 218	218
*219	95	170	32	6.820	219	219W	1219 M	219-M	1219	BL 219	219
*220	100	180	34	7.570	220	220W	1220 M	220-M	1220	BL 220	220
*221	105	190	36	9.000	221	221W	1221 M	221-M	1221	BL 221	-
*222	110	200	38	11.000	222	222W	1222 M	222-M	1222	BL 222	-

*Larger sizes available on request.

ONE SHIELD AND SNAP RINGS

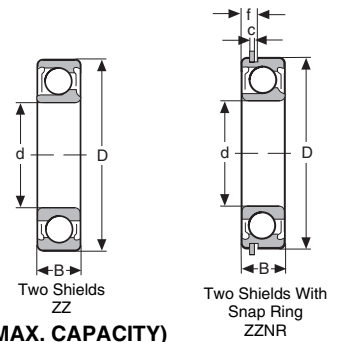
MVB No.	Dimensions					Approx. Wgt. (lbs.)	Interchange						
	(Metric)			(Inch)			FAG	FAF	FED	MRC	ND	NTN	SKF
	d	D	B	f	c								
203-ZNR	17	40	12	.134	.053	.160	203 ZNR	-	-	-	-	-	-
204-ZNR	20	47	14	.149	.053	.260	204 ZNR	-	-	-	-	-	-
205-ZNR	25	52	15	.149	.053	.310	205 ZNR	-	-	-	-	BL 205 ZNR	-
206-ZNR	30	62	16	.203	.075	.470	206 ZNR	206WDG	-	206-MFG	47206	BL 206 ZNR	206 ZNR
207-ZNR	35	72	17	.203	.075	.690	207 ZNR	207WDG	-	207-MFG	47207	BL 207 ZNR	207 ZNR
208-ZNR	40	80	18	.203	.075	.870	208 ZNR	208WDG	-	208-MFG	47208	BL 208 ZNR	208 ZNR
209-ZNR	45	85	19	.203	.075	.990	209 ZNR	209WDG	-	209-MFG	47209	BL 209 ZNR	209 ZNR
210-ZNR	50	90	20	.235	.106	1.080	210 ZNR	210WDG	-	210-MFG	47210	BL 210 ZNR	210 ZNR
211-ZNR	55	100	21	.235	.106	1.480	211 ZNR	211WDG	-	211-MFG	47211	BL 211 ZNR	211 ZNR
212-ZNR	60	110	22	.235	.106	1.870	212 ZNR	212WDG	-	212-MFG	47212	BL 212 ZNR	212 ZNR
213-ZNR	65	120	23	.281	.122	2.350	213 ZNR	213WDG	-	213-MFG	47213	BL 213 ZNR	213 ZNR
214-ZNR	70	125	24	.281	.122	2.550	214 ZNR	214WDG	-	-	47214	BL 214 ZNR	214 ZNR
215-ZNR	75	130	25	.281	.122	2.740	215 ZNR	215WDG	-	215-MFG	47215	BL 215 ZNR	215 ZNR
216-ZNR	80	140	26	.313	.122	3.430	216 ZNR	216WDG	-	216-MFG	47216	-	216 ZNR
217-ZNR	85	150	28	.313	.122	4.450	217 ZNR	217WDG	-	217-MFG	-	-	216 ZNR

*Sizes equipped with machined bronze cage suffix "M".

轴承 Rodamientos Rolamentos Рідман Кюгеллагер Кюллагер Сусцинетті Подшипники Подшипник łożyska łożysko Ležaj Ležajkы Лагер Лаер Сапарду 배어링 軸受 軸受



MVB Power-Star Bearing Co.
 Url: www.mvbbearing.com
 Email: vivy@mvbbearing.com
mvbbearing@gmail.com
 Tel: +86-592-523 0986
 Fax: +86-592-376 1975



DEEP GROOVE BALL BEARINGS - WITH FILLING SLOT - TWO SHIELDS (MAX. CAPACITY)

MVB No.	Dimensions (Metric)			Approx. Wgt. (lbs.)	Interchange						
	d	D	B		FAG	FAF	FED	MRC	ND	NTN	SKF
202-ZZ	15	35	11	.110	-	-	-	202-MFF	-	-	-
203-ZZ	17	40	12	.170	203.2ZR	-	-	203-MFF	-	-	-
204-ZZ	20	47	14	.260	204.2ZR	-	1204MFF	204-MFF	-	-	-
205-ZZ	25	52	15	.320	205.2ZR	-	1205MFF	205-MFF	-	BL 205 ZZ	-
206-ZZ	30	62	16	.480	206.2ZR	206WDD	1206MFF	206-MFF	77206	BL 206 ZZ	206 ZZ
207-ZZ	35	72	17	.700	207.2ZR	-	1207MFF	207-MFF	77207	BL 206 ZZ	207 ZZ
208-ZZ	40	80	18	.880	208.2ZR	208WDD	1208MFF	208-MFF	77208	BL 208 ZZ	208 ZZ
209-ZZ	45	85	19	1.000	209.2ZR	209WDD	1209MFF	209-MFF	77209	BL 209 ZZ	209 ZZ
210-ZZ	50	90	20	1.100	210.2ZR	210WDD	1210MFF	210-MFF	77210	BL 210 ZZ	210 ZZ
211-ZZ	55	100	21	1.500	211.2ZR	211WDD	1211MFF	211-MFF	77211	-	211 ZZ
212-ZZ	60	110	22	1.900	212.2ZR	212WDD	1212MFF	212-MFF	77212	-	212 ZZ
213-ZZ	65	120	23	2.400	213.2ZR	213WDD	1213MFF	213-MFF	77213	-	213 ZZ
214-ZZ	70	125	24	2.600	214.2ZR	214WDD	1214MFF	214-MFF	77214	-	214 ZZ
215-ZZ	75	130	25	2.790	215.2ZR	215WDD	1215MFF	215-MFF	77215	-	215 ZZ
216-ZZ	80	140	26	3.500	216.2ZR	216WDD	1216MFF	216-MFF	77216	-	216 ZZ
*217M-ZZ	85	150	28	4.400	217.2ZR	217WDD	1217MFF	217-MFF	77217	-	217 ZZ
*218M-ZZ	90	160	30	5.250	218.2ZR	218WDD	1218MFF	218-MFF	77218	-	218 ZZ
*219M-ZZ	95	170	32	5.950	219.2ZR	219WDD	1219MFF	219-MFF	77219	-	219 ZZ
*220M-ZZ	100	180	34	7.550	220.2ZR	220WDD	1220MFF	220-MFF	77220	-	220 ZZ

TWO SHIELDS AND SNAP RING

MVB No.	Dimensions (Metric)					Approx. Wgt. (lbs.)	Interchange					
	d	D	B	f	c		FAG	FAF	FED	MRC	ND	SKF
206-ZZNR	30	62	16	.203	.075	.500	-	-	-	206-MFFG	477206	206 ZZNR
207-ZZNR	35	72	17	.203	.075	.710	-	-	-	207-MFFG	477207	207 ZZNR
208-ZZNR	40	80	18	.203	.075	.900	-	208WDDG	-	208-MFFG	477208	208 ZZNR
209-ZZNR	45	85	19	.203	.075	1.030	-	-	-	209-MFFG	477209	209 ZZNR
210-ZZNR	50	90	20	.235	.106	1.140	-	-	-	210-MFFG	477210	210 ZZNR
211-ZZNR	55	100	21	.235	.106	1.540	-	-	-	211-MFFG	477211	211 ZZNR
212-ZZNR	60	110	22	.235	.106	1.910	-	212WDDG	-	212-MFFG	477212	212 ZZNR
213-ZZNR	65	120	23	.281	.122	2.400	-	213WDDG	-	213-MFFG	477213	213 ZZNR
214-ZZNR	70	125	24	.281	.122	2.600	-	-	-	214-MFFG	477214	214 ZZNR
215-ZZNR	75	130	25	.281	.122	2.790	-	215WDDG	-	215-MFFG	477215	215 ZZNR
216-ZZNR	80	140	26	.313	.122	3.480	-	-	-	216-MFFG	477216	216 ZZNR

* Sizes equipped with machined bronze cages - suffix "M".