

Ball Screw Support 滚珠丝杠支撑座

EK Series Fixed Side Rectangular Type

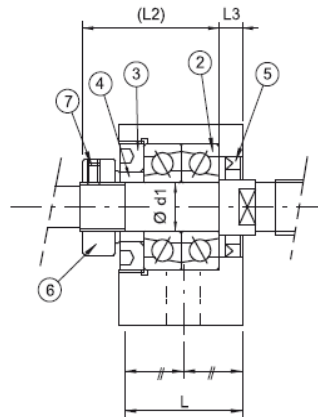
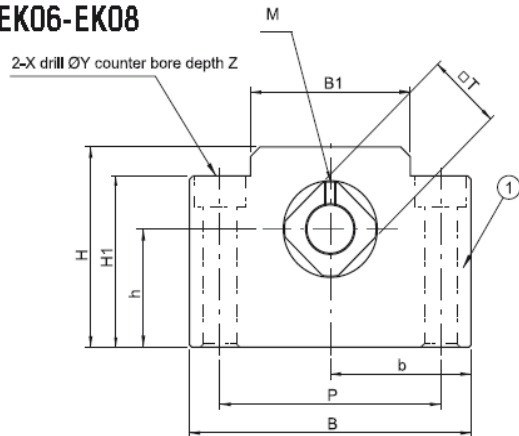


Assembly consists of:

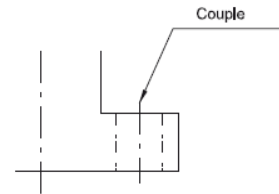
Item No.	Part Name	Quantity
1	Housing	1
2	Bearing	1 set
3	Holding Lid	1
4	Collar	2
5	Seal	1 (2)
6	Lock Nut	1
7	Hexagon Socket Head Setscrew (with set piece)	1



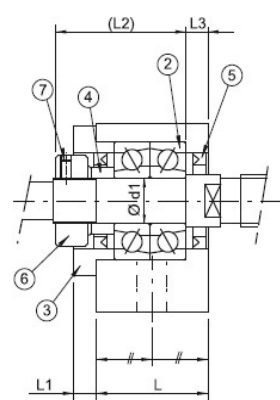
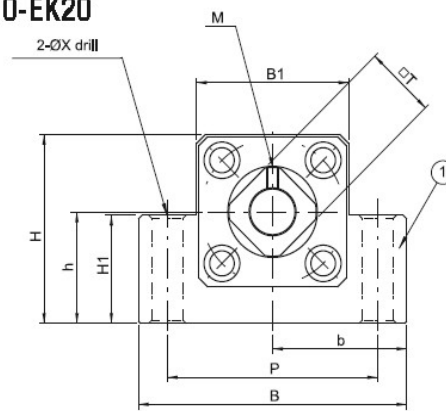
EK06-EK08



EK05



EK10-EK20



All Dimensions in mm

Part Number	Shaft Dia. d1	L	L1	L2	L3	B	H	b	h	B1	H1	P	X	Y	Z	M	T	Bearing No.
								±0.02	±0.02									
EK05*	5	16.5	5.5	18.5	3.5	36	21	18	11	20	8	28	4.5	-	-	M2.6	11	605ZZ
EK06*	6	20	5.5	22	3.5	42	25	21	13	18	20	30	5.5	9.5	11	M3.0	12	606ZZ
EK08*	8	23	7	26	4	52	32	26	17	25	26	38	6.6	11	12	M3.0	14	608ZZ
EK10	10	24	6	29.5	6	70	43	35	25	36	24	52	9	-	-	M3.0	16	-
EK12	12	24	6	29.5	6	70	43	35	25	36	24	52	9	-	-	M3.0	19	-
EK15	15	25	6	36	5	80	49	40	30	41	25	60	11	-	-	M3.0	22	-
EK20	20	42	10	50	10	95	58	47.5	30	56	25	75	11	-	-	M4.0	30	-

***Note:**

For light axial loads only, as bearing used is deep groove and not angular contact. Axial clearance is 0.03mm

Features

•Do not disassemble the support unit oil-seal lip

•The bearing is filled with grease socket head setscrew

MVB Power-Star Bearing Industry Co., Ltd.
Tel: +86-592-523 0986 Fax: +86-592-376 1975
Url: www.mvbbearing.com
Email: vivy@mvbbearing.com ; mvbbearing@gmail.com