

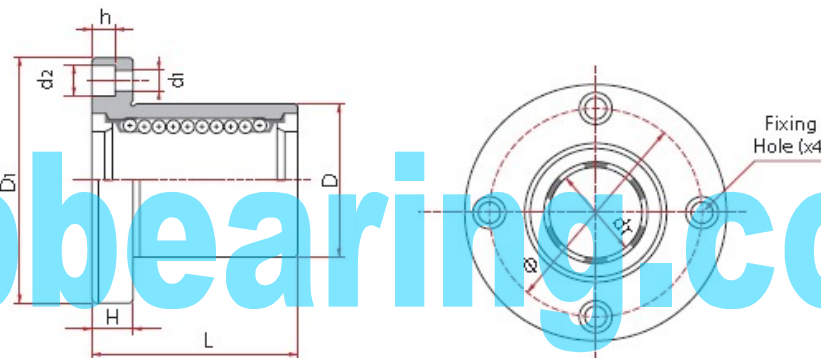
Linear Motion Bearings-Linear Ball Busings 直线轴承

LMBF..UU Series



Resin Retainer

This type is a inch dimension series generally used in the America.



www.mvbbearing.com

标准型 Standard Type LMBF...	密封型 Sealed Type LMBF..UU	重量 Weight (g)	公称轴径 Nominal shaft dia. Inch / mm	dr 公差 Tolerance inch / μ m	主要尺寸和公差 Major dimensions and tolerance(T)										偏心 Eccentricity inch / μ m	垂直度 Squanreness inch / μ m	额定负荷 Basic load rating	
					D		L		D ₁	H	Φ	d ₁	d ₂	h			动负荷 Dynamic C N	静负荷 Static Co N
					inch / mm	公差 Tol. inch / μ m	inch / mm	公差 Tol. inch / μ m	inch / mm	inch / mm	inch / mm	inch / mm	inch / mm	inch / mm				
LMBF4	LMBF4UU	32	1/4 6.350	0 -0.00040	.5000 12.700	0 -0.00045 -11	.7500 19.050	±0.12 ±300	1.2500 31.750	0.219 5.556	.8750 22.225	.1560 3.969	.2500 6.350	.1410 3.572	0.0005 12	0.0005 12	206	265
LMBF6	LMBF6UU	47	3/8 9.525	0 -9	.6250 15.875	0 -0.00050	.8750 22.225	±0.12 ±300	1.5000 37.100	.2500 6.350	1.0620 26.988	.1875 4.763	.2970 7.541	.1720 4.366	0.0005 12	0.0005 12	225	314
LMBF8	LMBF8UU	88	1/2 12.700	0 -9	.8750 22.225	0 -0.00050	1.2500 31.750	±0.12 ±300	1.7500 44.450	.2500 6.350	1.312 33.338	.1875 4.763	.2970 7.541	.1720 4.366	0.0005 12	0.0005 12	510	784
LMBF10	LMBF10UU	140	5/8 15.875	0 -9	1.1250 28.575	0 -13	1.5000 38.100	±0.12 ±300	2.0000 50.800	.2500 6.350	1.5620 39.688	.1875 4.763	.2970 7.541	.1720 4.366	0.0005 12	0.0005 12	774	1,180
LMBF12	LMBF12UU	190	3/4 19.050	0 -0.00040	1.2500 31.750	0 -0.00065	1.6250 41.275	±0.12 ±300	2.1875 55.563	.3125 7.938	1.7180 43.660	.2187 5.556	.3440 8.731	.2030 5.159	0.0006 15	0.0006 15	862	1,370
LMBF16	LMBF16UU	325	1 25.400	0 -10	1.5625 39.688	0 -16	2.2500 57.150	±0.12 ±300	2.5000 63.500	.3125 7.938	2.0310 51.594	.2187 5.556	.3440 8.731	.2030 5.159	0.0006 15	0.0006 15	980	1,570
LMBF20	LMBF20UU	665	1-1/4 31.750	0 -0.00050	2.0000 50.800	0 -0.00075	2.6250 66.675	±0.12 ±300	3.1250 79.375	.3750 9.525	2.5625 65.088	.2812 7.144	.4060 10.319	.2656 6.747	0.0008 20	0.0008 20	1,570	2,740
LMBF24	LMBF24UU	1100	1-1/2 38.100	0 -0.00050	2.3750 60.325	0 -19	3.0000 76.200	±0.12 ±300	3.7500 95.250	.5000 12.700	3.0625 77.788	.3440 8.731	.5000 12.700	.3280 8.334	0.0008 20	0.0008 20	2,180	4,020
LMBF32	LMBF32UU	1,760	2 50.800	0 -12	3.0000 76.200	0 -0.00090 -22	4.0000 101.600	±0.12 ±300	4.3750 111.125	.5000 12.700	3.6875 93.662	.3440 8.731	.5000 12.700	.3280 8.334	0.0010 25	0.0010 25	3,820	7,940
LMBF40	LMBF40UU	3570	2-1/2 63.500	0 -0.00063	3.7500 95.250	0 -0.00090	5.0000 127.000	±0.12 ±300	5.3750 136.525	.7500 19.050	4.5625 115.887	.4062 10.319	.6250 15.875	.3750 9.525	0.0010 25	0.0010 25	4,705	10,000
LMBF48	LMBF48UU	5600	3 76.200	0 -15	4.2500 114.500	0 -22	6.0000 152.400	±0.12 ±300	6.1250 155.575	.7500 19.050	5.3125 134.937	.4062 10.319	.6250 15.875	.3750 9.525	0.0010 25	0.0010 25	7,353	15,980
LMBF64	LMBF64UU	12,000	4 101.600	0 -0.00088 -20	6.0000 152.400	0 -0.00100 -25	8.0000 203.200	±0.12 ±300	8.0000 203.200	.8750 22.225	7.0000 177.800	.5000 12.700	.7125 18.097	0.5000 12.700	0.0012 30	0.0012 30	14,118	34,800

MVB Power-Star Bearing Industry Co., Ltd. Tel: +86-592-523 0986 Fax: +86-592-376 1975
 Url: www.mvbbearing.com Email: vivy@mvbbearing.com ; mvbbearing@gmail.com