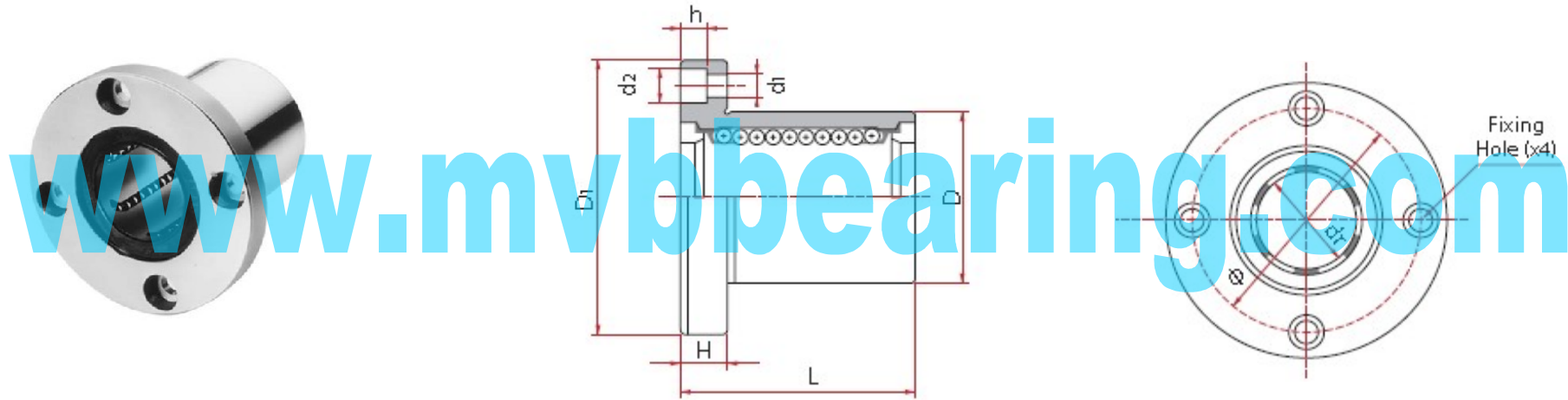


Flanged Linear Motion Bearings-Linear Ball Busings 法兰式直线轴承 LMEF..UU Series



Resin Retainer This type is a metric dimension series generally used in Europe.



www.mvbbearing.com

标准型 Standard Type LMEF...	密封型 Sealed Type LMEF..UU	重量 Weight (g)	公称轴径 Nominal shaft dia. mm	主要尺寸和公差 Major dimensions and tolerance(T)											偏心 Eccentricity μm	垂直度 Squareness μm	额定负荷 Basic load rating	
				dr 公差 Tolerance μm	D		L		D ₁	H	Φ	d ₁	d ₂	h			动负荷 Dynamic C N	静负荷 Static Co N
					mm	公差 Tol. μm	mm	公差 Tol. μm										
LMEF5	LMEF5UU	26	5	+8 0	12	0 -8	22	±300	28	5	20	3.5	6	3.1	12	12	206	265
LMEF8	LMEF8UU	41	8		16	25	32		5	24	3.5	6	3.1	265			402	
LMEF12	LMEF12UU	80	12		22	32	42		6	32	4.5	7.5	4.1	510			784	
LMEF16	LMEF16UU	103	16	+9 -1	26	0 -9	36	0 -200	46	6	36	4.5	7.5	4.1	15	15	578	892
LMEF20	LMEF20UU	182	20		32	45	54		8	43	5.5	9	5.1	862			1,370	
LMEF25	LMEF25UU	335	25	+11 -1	40	0 -11	58	0 -300	62	8	51	5.5	9	5.1	17	17	980	1,570
LMEF30	LMEF30UU	560	30		47	68	76		10	62	6.6	11	6.1	1,570			2,740	
LMEF40	LMEF40UU	1175	40		62	80	98		13	80	9	14	8.1	2,160			4,020	
LMEF50	LMEF50UU	1745	50	+13 -2	75	0 -13	100	0 -400	112	13	94	9	14	8.1	20	20	3,820	7,940
LMEF60	LMEF60UU	3220	60		90	125	134		18	112	11	17	11	4,700			9,800	
LMEF80	LMEF80UU	6420	80	+16 -4	120	0 -15	165	0 -400	164	18	142	11	17	11			7,350	16,000