

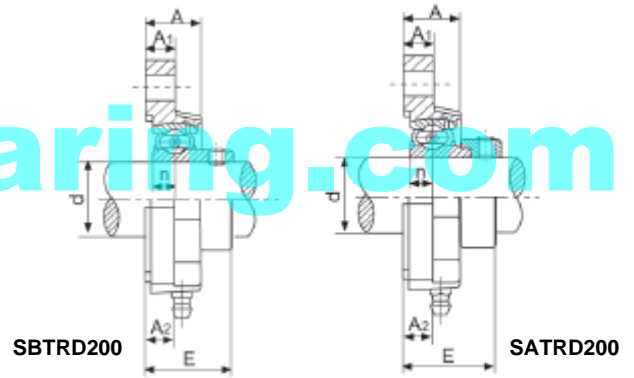
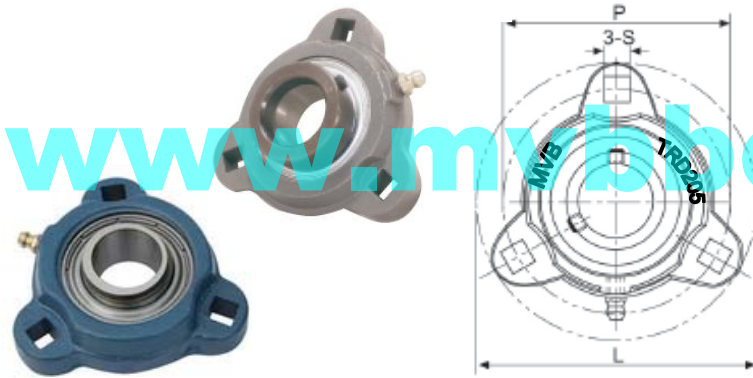
SBTRD200, SATRD200 Series

Triangle Flange Unit 帶座外球面軸承



Mounted Ball Bearing Units

Narrow Inner Race, Light Duty



SBTRD200 Series, Set Screw Locking

MVB BearingUnit No.	Shaft Dia d		Dimensions inch mm								Bolt Used		Bearing No.	Housing No.	Weight (kg)		
	(in)	(mm)	L	P	A1	A	A2	s	E	n	(mm)	(in)					
SBTRD201-8	1/2																
SBTRD202-9	9/16		3 3/16	2 1/2	27/64	3/4	27/64	9/32	1.0512	0.2362	M6	1/4	SB201-8	TRD203	0.21		
SBTRD202-10	5/8																SB202-9
SBTRD203-11	11/16																SB202-10
SBTRD201		12															SB203-11
SBTRD202		15	81	63.5	10.7	19.1	10.7	7.1	26.7	6							SB201
SBTRD203		17											SB202				
SBTRD204-12	3/4		3 9/16	2 13/16	7/16	25/32	7/16	11/32	1.1457	0.2756	M8	5/6	SB204-12	TRD204	0.32		
SBTRD204		20	90.5	71.4	11.1	19.8	11.1	8.7	29.1	7							SB204
SBTRD205-13	13/16										M8	5/6	SB205-13	TRD205	0.36		
SBTRD205-14	7/8		3 3/4	3	13/32	25/32	13/32	11/32	1.1732	0.2953							SB205-14
SBTRD205-15	15/16																SB205-15
SBTRD205-16	1																SB205-16
SBTRD205		25	95.2	76.2	10.3	19.8	10.3	8.7	29.8	7.5							SB205
SBTRD206-17	1-1/16										M8	3/8	SB206-17	TRD206	0.57		
SBTRD206-18	1-1/8		4 7/16	3 9/16	31/64	7/8	31/64	13/32	1.3425	0.3150							SB206-18
SBTRD206-19	1-3/16																SB206-19
SBTRD206-20	1-1/4																SB206-20
SBTRD206		30	113	90.5	12.1	22.2	12.1	10.3	34.1	8							SB206
SBTRD207-20	1-1/4										M8	3/8	SB207-20	TRD207	0.71		
SBTRD207-21	1-5/16		4 13/16	3 15/16	33/64	15/16	33/64	13/32	1.4370	0.3346							SB207-21
SBTRD207-22	1-3/8																SB207-22
SBTRD207-23	1-7/16																SB207-23
SBTRD207		35	122.5	100	12.7	23.8	12.7	10.3	36.5	8.5							SB207

SATRD200 Series, Eccentric Collar Locking

MVB BearingUnit No.	Shaft Dia d		Dimensions inch mm								Bolt Used		Bearing No.	Housing No.	Weight (kg)		
	(in)	(mm)	L	P	A1	A	A2	s	E	n	(mm)	(in)					
SATRD201-8	1/2																
SATRD202-9	9/16		3 3/16	2 1/2	27/64	3/4	27/64	9/32	1.2913	0.2362	M6	1/4	SA201-8	TRD203	0.26		
SATRD202-10	5/8																SA202-9
SATRD203-11	11/16																SA202-10
SATRD201		12															SA203-11
SATRD202		15	81	63.5	10.7	19.1	10.7	7.1	32.8	6							SA201
SATRD203		17											SA202				
SATRD204-12	3/4		3 9/16	2 13/16	7/16	25/32	7/16	11/32	1.3583	0.2756	M8	5/6	SA204-12	TRD204	0.34		
SATRD204		20	90.5	71.4	11.1	19.8	11.1	8.7	34.5	7							SA204
SATRD205-13	13/16										M8	5/6	SA205-13	TRD205	0.39		
SATRD205-14	7/8		3 3/4	3	13/32	25/32	13/32	11/32	1.4055	0.2953							SA205-14
SATRD205-15	15/16																SA205-15
SATRD205-16	1																SA205-16
SATRD205		25	95.2	76.2	10.3	19.8	10.3	8.7	35.7	7.5							SA205
SATRD206-17	1-1/16										M8	3/8	SA206-17	TRD206	0.61		
SATRD206-18	1-1/8		4 7/16	3 9/16	31/64	7/8	31/64	13/32	1.5236	0.3150							SA206-18
SATRD206-19	1-3/16																SA206-19
SATRD206-20	1-1/4																SA206-20
SATRD206		30	113	90.5	12.1	22.2	12.1	10.3	38.7	8							SA206
SATRD207-20	1-1/4										M8	3/8	SA207-20	TRD207	0.82		
SATRD207-21	1-5/16		4 13/16	3 15/16	33/64	15/16	33/64	13/32	1.6575	0.3346							SA207-21
SATRD207-22	1-3/8																SA207-22
SATRD207-23	1-7/16																SA207-23
SATRD207		35	122.5	100	12.7	23.8	12.7	10.3	42.1	8.5							SA207

Note: For a relubricable unit add "G" suffix after unit number.(Ex. : SATRD 205-16G)