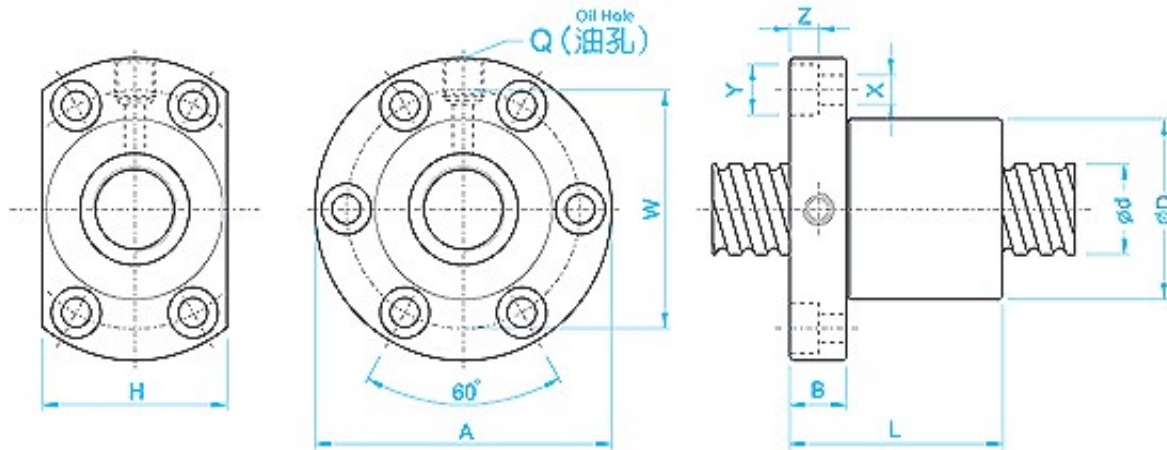
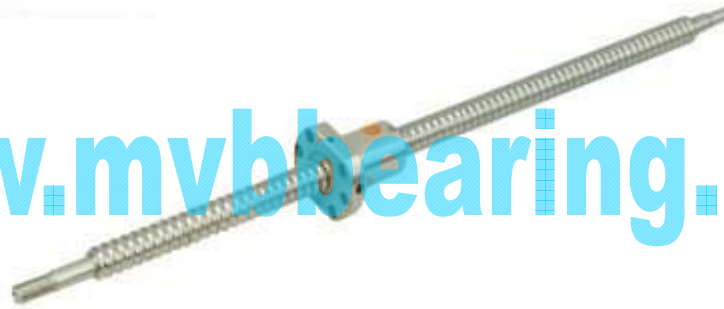


www.mvbbearing.com



l: Lead Da: Ball Dia. n: Number of circuits K: Stiffness (kgf/ μ m)

Ca: Basic Dynamix Rating Load (kgf) Coa: Basic Static Rating Load (kgf)

Model No.	Dimensions																
	d	l	Da	D	A	B	L	W	H	X	Y	Z	Q	n	Ca	Coa	K
★ SFI01604-4		4	2.381	30	49	10	50	39	34	4.5	8	4.5	M6	4	625	1254	22
★ SFI01605-4	16	5	3.175	30	49	10	50	39	34	4.5	8	4.5	M6	4	888	1525	22
★ SFI01610-3		10	3.175	34	58	10	57	45	34	5.5	9.5	5.5	M6	3	716	1232	17
SFI02004-4		4	2.381	34	57	11	46	45	40	5.5	9.5	5.5	M6	4	693	1584	27
★ SFI02005-4	20	5	3.175	34	57	11	51	45	40	5.5	9.5	5.5	M6	4	999	1995	27
★ SFI0205T-4		5.08	3.175	34	57	11	51	45	40	5.5	9.5	5.5	M6	4	999	1995	27
★ SFI02504-4		4	2.381	40	63	11	46	51	46	5.5	9.5	5.5	M6	4	775	2046	33
★ SFI02505-4	25	5	3.175	40	63	11	51	51	46	5.5	9.5	5.5	M8	4	1119	2581	34
SFI02510-4		10	4.762	46	72	12	85	58	52	6.5	11	6.5	M6	4	1903	3953	35
SFI3204-4		4	2.381	46	72	12	47	58	52	6.5	11	6.5	M6	4	868	2640	43
★ SFI3205-4	32	5	3.175	46	72	12	52	58	52	6.5	11	6.5	M8	4	1264	3403	43
★ SFI3210-4		10	6.35	54	88	15	90	70	62	9	14	8.5	M8	4	3.93	6102	44
★ SFI4005-4	40	5	3.175	56	90	15	55	72	64	9	14	8.5	M8	4	1407	4342	53
★ SFI4010-4	40	10	6.35	62	104	18	93	82	70	11	17.5	11	M8	4	3480	7979	55
SFI5010-4	50	10	6.35	72	114	18	93	92	82	11	17.5	11	M8	4	3898	10326	68
★ SFI6310-4	63	10	6.35	85	131	22	98	107	95	14	20	13	M8	4	4402	13611	81
★ SFI8010-4	80	10	6.35	105	150	22	98	127	115	14	20	13	M8	4	4900	17366	106

Note: with sign ★ can produce left helix

MVB Power-Star Bearing Industry Co., Ltd.

Tel: +86-592-523 0986 Fax: +86-592-376 1975

Url: www.mvbbearing.com

Email: vivy@mvbbearing.com ; mvbbearing@gmail.com