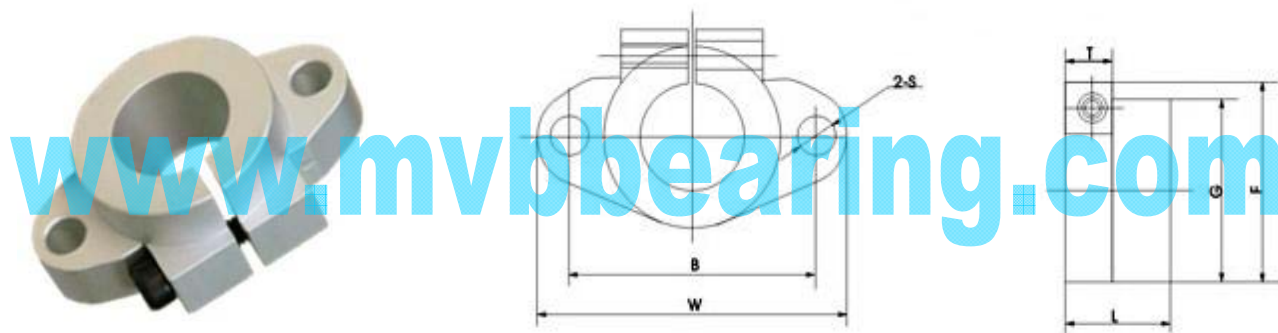


Linear Motion Bearings-Shaft Support 直线轴承轴支座 SHF Series



型号 Item No SK	轴径 Shaft Dia.	主要尺寸和公差 Major Dimensions (mm)							锁紧螺栓 Designation of Clamping Bolt	安装螺栓 Designation of Mounting Bolt	重量 Weight (kg)
		W	L	T	F	G	B	S			
SHF10B	10	43	10	8.5	24	20	32	5.5	M4	M5	0.013
SHF12B	12	47	13	8.5	28	25	36	5.5	M4	M5	0.02
SHF13B	13	47	13	8.5	28	25	36	5.5	M4	M5	0.02
SHF16B	16	50	16	8.5	31	28	40	5.5	M4	M5	0.027
SHF20B	20	60	20	9	37	34	48	7	M5	M6	0.04
SHF25B	25	70	25	11	42	40	56	7	M5	M6	0.06
SHF30B	30	80	30	14	50	46	64	9	M6	M8	0.11
SHF35B	35	92	35	16	58	50	72	12	M8	M10	0.38
SHF40B	40	102	40	22	67	56	80	12	M10	M10	0.51