



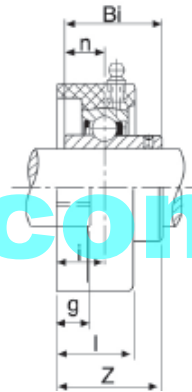
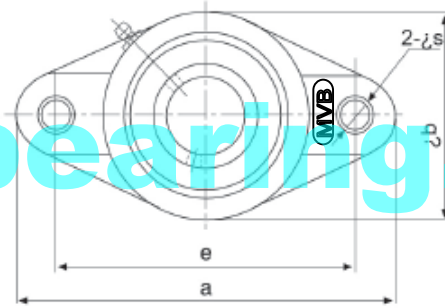
Oval-2 Bolt Flanged Unit

Mounted Ball Bearing Units

- White
- Black
- Green

Material: PBT
Solid Base

Stainless Steel
Grease Nipple
same as Bolt
Holes



MVB Bearing Unit No.	Shaft Dia d		Dimensions(mm)										Bolt SUsed		Bearing No.	Housing No.	Housing Weight (kg)	
	(in)	(mm)	a	e	i	g	l	s	b	z	Bi	n	(mm)	(in)				
SUCNFL201-8	1/2															SUC201-8		
SUCNFL202-9	9/16															SUC202-9		
SUCNFL202-10	5/8															SUC202-10		
SUCNFL203-11	11/16															SUC203-11		
SUCNFL204-12	3/4		113	90	15	11	25.5	12	60	33.3	31	12.7	M10	3/8	SUC204-12	NFL204	0.09	
SUCNFL201		12													SUC201			
SUCNFL202		15													SUC202			
SUCNFL203		17													SUC203			
SUCNFL204		20													SUC204			
SUCNFL205-13	13/16															SUC205-13		
SUCNFL205-14	7/8															SUC205-14		
SUCNFL205-15	15/16		130	99	16	13	27	16	68	35.7	34.1	14.3	M14	3/8	SUC205-15	NFL205	0.14	
SUCNFL205-16	1														SUC205-16			
SUCNFL205		25													SUC205			
SUCNFL206-17	1-1/16															SUC206-17		
SUCNFL206-18	1-1/8															SUC206-18		
SUCNFL206-19	1-3/16		148	117	18	13	31	16	80	40.2	38.1	15.9	M14	3/8	SUC206-19	NFL206	0.17	
SUCNFL206-20	1-1/4														SUC206-20			
SUCNFL206		30													SUC206			
SUCNFL207-20	1-1/4															SUC207-20		
SUCNFL207-21	1-5/16															SUC207-21		
SUCNFL207-22	1-3/8		161	130	19	14	34	16	90	44.4	42.9	17.5	M14	7/16	SUC207-22	NFL207	0.21	
SUCNFL207-23	1-7/16														SUC207-23			
SUCNFL207		35													SUC207			
SUCNFL208-24	1-1/2															SUC208-24		
SUCNFL208-25	1-9/16		175	144	21	14	36	16	100	51.2	49.2	19	M14	1/2	SUC208-25	NFL208	0.24	
SUCNFL208		40													SUC208			
SUCNFL209-26	1-5/8															SUC209-26		
SUCNFL209-27	1-11/16															SUC209-27		
SUCNFL209-28	1-3/4		188	148	22	16	38	19	108	52.2	49.2	19	M16	1/2	SUC209-28	NFL209	0.30	
SUCNFL209		45													SUC209			
SUCNFL210-29	1-13/16															SUC210-29		
SUCNFL210-30	1-7/8															SUC210-30		
SUCNFL210-31	1-15/16		197	157	22	16	40	19	115	54.6	51.6	19	M16	1/2	SUC210-31	NFL210	0.33	
SUCNFL210-32	2															SUC210-32		
SUCNFL210		50													SUC210			
SUCNFL211-32	2															SUC211-32		
SUCNFL211-33	2-1/16															SUC211-33		
SUCNFL211-34	2-1/8		224	184	25	18	43	19	130	58.4	55.6	22.2	M16	5/8	SUC211-34	NFL211		
SUCNFL211-35	2-3/16															SUC211-35		
SUCNFL211		55													SUC211			
SUCNFL212-36	2-1/4															SUC212-36		
SUCNFL212-37	2-5/16															SUC212-37		
SUCNFL212-38	2-3/8		250	202	29	18	48	23	140	68.7	65.1	25.4	M20	5/8	SUC212-38	NFL212		
SUCNFL212-39	2-7/16															SUC212-39		
SUCNFL212		60													SUC212			

Note: Open / Close Covers (OC/CC) and Back Seals (BS) are optional.

Thermoplastic Housing Specifications - Breaking Points Testing (N)

Mode of Load	204	205	206	207	208	209	210
	10872	12254	18224	16900	17213	17600	17950
	10590	15093	16826	14900	15150	15350	15650
	6584	5314	5633	6000	6510	6940	7590