

SUCPPL200 Series



Thermoplastic Housing with Stainless Steel Bearing Inserts

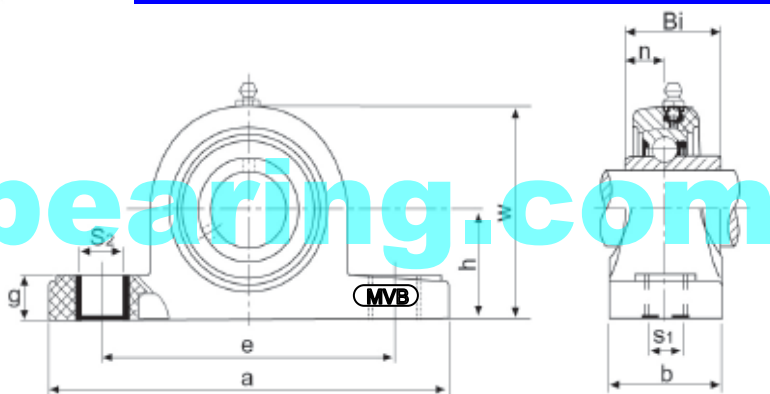
Pillow Block 帶塑料座外球面軸承

Mounted Ball Bearing Units

- White
- Black
- Green

Material: PBT
Solid Base

Stainless Steel Grease
Nipple same as Bolt
Holes



MVB Bearing Unit No.	Shaft Dia.		Dimensions (in./mm)										Bolt Used		Bearing No.	Housing No.	Housing Weight (kg)
	in.	mm	h	a	e	b	S2	S1	g	w	Bi	n	(mm)	(in.)			
SUCPPL201-08 SUCPPL201	1/2	12	1 3/16 30.2	5 127	3 3/4 95.3	1 1/2 38.1	3/4 19	1/2 12.7	15/32 11.9	2 3/8 60.3	1.2205 31.0	0.5000 12.7	M10	3/8	SUC201-08 SUC201	PPL 203	0.13
SUCPPL202-9 SUCPPL202	9/16 5/8	15	1 3/16 30.2	5 127	3 3/4 95.3	1 1/2 38.1	3/4 19	1/2 12.7	15/32 11.9	2 3/8 60.3	1.2205 31.0	0.5000 12.7	M10	3/8	SUC202-9 SUC202-10 SUC202	PPL 203	0.13
SUCPPL203-11 SUCPPL203	11/16	17	1 3/16 30.2	5 127	3 3/4 95.3	1 1/2 38.1	3/4 19	1/2 12.7	15/32 11.9	2 3/8 60.3	1.2205 31.0	0.5000 12.7	M10	3/8	SUC203-11 SUC203	PPL 203	0.13
SUCPPL204-12 SUCPPL204	3/4	20	1 5/16 33.3	5 127	3 3/4 95.3	1 1/2 38.1	3/4 19	1/2 12.7	1/2 12.9	2 17/32 64.3	1.2205 31.0	0.5000 12.7	M10	3/8	SUC204-12 SUC204	PPL 204	0.13
SUCPPL205-13 SUCPPL205-14 SUCPPL205-15 SUCPPL205-16 SUCPPL205	13/16 7/8 15/16 1	25	1 7/16 36.5	5 1/2 140	4 1/8 105	1 1/2 38.1	3/4 19	1/2 12.7	1/2 12.7	2 25/32 70.6	1.3386 34.0	0.5630 14.3	M10	3/8	SUC205-13 SUC205-14 SUC205-15 SUC205-16 SUC205	PPL 205	0.14
SUCPPL206-17 SUCPPL206-18 SUCPPL206-19 SUCPPL206-20 SUCPPL206	1-1/16 1-1/8 1-3/16 1-1/4	30	1 11/16 42.9	6 1/2 165	4 3/4 120.7	1 7/8 47.6	13/16 20.6	21/32 16.7	19/32 15.1	3 5/16 84.1	1.5000 38.1	0.6260 15.9	M14	1/2	SUC206-17 SUC206-18 SUC206-19 SUC206-20 SUC206	PPL 206	0.25
SUCPPL207-20 SUCPPL207-21 SUCPPL207-22 SUCPPL207-23 SUCPPL207	1-1/4 1-5/16 1-3/8 37088	35	1 7/8 47.6	6 9/16 167	5 127	1 7/8 47.6	13/16 20.6	21/32 16.7	5/8 15.9	3 21/32 92.9	1.6890 42.9	0.6890 17.5	M14	1/2	SUC207-20 SUC207-21 SUC207-22 SUC207-23 SUC207	PPL 207	0.27
SUCPPL208-24 SUCPPL208-25 SUCPPL208	1-1/2 1-9/16	40	1 15/16 49.2	7 1/4 184	5 13/32 137.3	2 1/8 54	13/16 20.6	21/32 16.7	21/32 16.7	3 27/32 97.6	1.9370 49.2	0.7480 19.0	M14	1/2	SUC208-24 SUC208-25 SUC208	PPL 208	0.32
SUCPPL209-26 SUCPPL209-27 SUCPPL209-28 SUCPPL209	1-5/8 1-11/16 1-3/4	45	2 1/8 54.0	7 15/32 190	5 3/4 146	2 1/8 54	13/16 20.6	21/32 16.7	21/32 16.7	4 3/16 106.4	1.9370 49.2	0.7480 19.0	M14	1/2	SUC209-26 SUC209-27 SUC209-28 SUC209	PPL 209	0.37
SUCPPL210-29 SUCPPL210-30 SUCPPL210-31 SUCPPL210-32 SUCPPL210	1-13/16 1-7/8 1-15/16 2	50	2 1/4 57.2	8 1/8 206	6 1/4 159	2 3/8 60.3	7/8 22.2	25/32 19.8	3/4 19	4 7/16 112.7	2.0315 51.6	0.7480 19.0	M16	5/8	SUC210-29 SUC210-30 SUC210-31 SUC210-32 SUC210	PPL 210	0.44
SUCPPL211-32 SUCPPL211-33 SUCPPL211-34 SUCPPL211-35 SUCPPL211	2 2-1/16 2-1/8 2-3/16	55	2 1/2 63.5	8 5/8 219	6 23/32 170.7	2 3/8 60.3	7/8 22.2	25/32 19.8	3/4 19	4 29/32 124.6	2.1890 55.6	0.8740 22.2	M16	5/8	SUC211-32 SUC211-33 SUC211-34 SUC211-35 SUC211	PPL 211	
SUCPPL212-36 SUCPPL212-37 SUCPPL212-38 SUCPPL212-39 SUCPPL212	2-1/4 2-5/16 2-3/8 2-7/16	60	2 3/4 69.8	9 1/2 241	7 1/4 184.2	2 3/4 70	1 25.4	25/32 19.8	7/8 22.2	5 7/16 138.1	2.5630 65.1	1.0000 25.4	M16	5/8	SUC212-36 SUC212-37 SUC212-38 SUC212-39 SUC212	PPL 212	

NOTE: 1. Grease Fittings available at 90° and 45° positions.

2. Open / Close Covers (OC/CC) and Back Seals (BS) are optional.

Thermoplastic Housing Specifications - Breaking Points Testing (N)							
Mode of Load	204	205	206	207	208	209	210
	10930	11016	11959	12750	13100	13360	13850
	12734	8065	9789	12750	11100	11400	11750
	5610	4630	7816	7500	8500	8950	9550