

SUCTPL200 Series



Thermoplastic Housing with Stainless Steel Bearing Inserts

Take-up Unit 帶塑料座外球面軸承

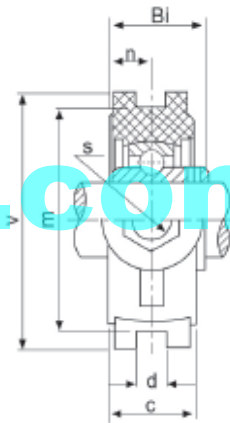
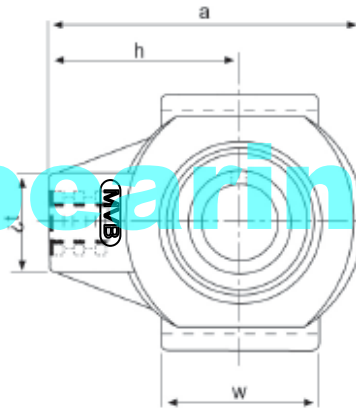
Mounted Ball Bearing Units

- White
- Black
- Green

Material: PBT

Solid Base

Stainless Steel
Grease Nipple
same as Bolt
Holes



| MVB Bearing Unit No. | Shaft Dia d | | Dimensions(mm) | | | | | | | | | | | Bearing No. | Housing No. | Housing Weight (kg) |
|--|------------------------------------|----------------------|----------------|------|----|----|-----|-----|----|-------|----|------|------|---|-------------|---------------------|
| | (in) | (mm) | a | c | d | h | m | s | t | v | w | Bi | n | | | |
| SUCTPL201-8 SUCTPL202-9 SUCTPL202-10 SUCTPL203-11 SUCTPL204-12 SUCTPL201 SUCTPL202 SUCTPL203 SUCTPL204 | 1/2 9/16 5/8 11/16 3/4 | 12 15 17 20 | 99 | 27.5 | 12 | 64 | 76 | M16 | 36 | 88 | 47 | 31 | 12.7 | SUC201-8 SUC202-9 SUC202-10 SUC203-11 SUC204-12 SUC201 SUC202 SUC203 SUC204 | TPL204 | 0.18 |
| SUCTPL205-13 SUCTPL205-14 SUCTPL205-15 SUCTPL205-16 SUCTPL205 | 13/16 7/8 15/16 1 | 25 | 99 | 27.5 | 12 | 64 | 76 | M16 | 36 | 88 | 47 | 34.1 | 14.3 | SUC205-13 SUC205-14 SUC205-15 SUC205-16 SUC205 | TPL205 | 0.19 |
| SUCTPL206-17 SUCTPL206-18 SUCTPL206-19 SUCTPL206-20 SUCTPL206 | 1-1/16 1-1/8 1-3/16 1-1/4 | 30 | 125 | 34.5 | 12 | 76 | 89 | M16 | 40 | 101.4 | 63 | 38.1 | 15.9 | SUC206-17 SUC206-18 SUC206-19 SUC206-20 SUC206 | TPL206 | 0.29 |
| SUCTPL207-20 SUCTPL207-21 SUCTPL207-22 SUCTPL207-23 SUCTPL207 | 1-1/4 1-5/16 1-3/8 1-7/16 | 35 | 125 | 34.5 | 12 | 76 | 89 | M16 | 40 | 101.4 | 63 | 42.9 | 17.5 | SUC207-20 SUC207-21 SUC207-22 SUC207-23 SUC207 | TPL207 | 0.24 |
| SUCTPL208-24 SUCTPL208-25 SUCTPL208 | 1-1/2 1-9/16 | 40 | 140 | 34.5 | 16 | 85 | 102 | M16 | 40 | 113.6 | 80 | 49.2 | 19 | SUC208-24 SUC208-25 SUC208 | TPL208 | 0.31 |
| SUCTPL209-26 SUCTPL209-27 SUCTPL209-28 SUCTPL209 | 1-5/8 1-11/16 1-3/4 | 45 | 149 | 40 | 16 | 90 | 102 | M20 | 50 | 117 | 85 | 49.2 | 19 | SUC209-26 SUC209-27 SUC209-28 SUC209 | TPL209 | 0.43 |
| SUCTPL210-29 SUCTPL210-30 SUCTPL210-31 SUCTPL210-32 SUCTPL210 | 1-13/16 1-7/8 1-15/16 2 | 50 | 149 | 40 | 16 | 90 | 102 | M20 | 50 | 117 | 85 | 51.6 | 19 | SUC210-29 SUC210-30 SUC210-31 SUC210-32 SUC210 | TPL210 | 0.47 |

Note: Open / Close Covers (OC/CC) and Back Seals (BS) are optional.

| Thermoplastic Housing Specifications - Breaking Points Testing (N) | | | | | | | |
|--|-------|-------|-------|-------|-------|-------|-------|
| Mode of Load | 204 | 205 | 206 | 207 | 208 | 209 | 210 |
| | 14800 | 15500 | 15800 | 16500 | 17300 | 18210 | 18860 |
| | 3930 | 4530 | 5100 | 6500 | 7800 | 8710 | 9750 |
| | 8500 | 10350 | 10900 | 11300 | 12150 | 13900 | 13550 |
| | 40770 | 45300 | 46100 | 44100 | 42800 | 44230 | 44880 |