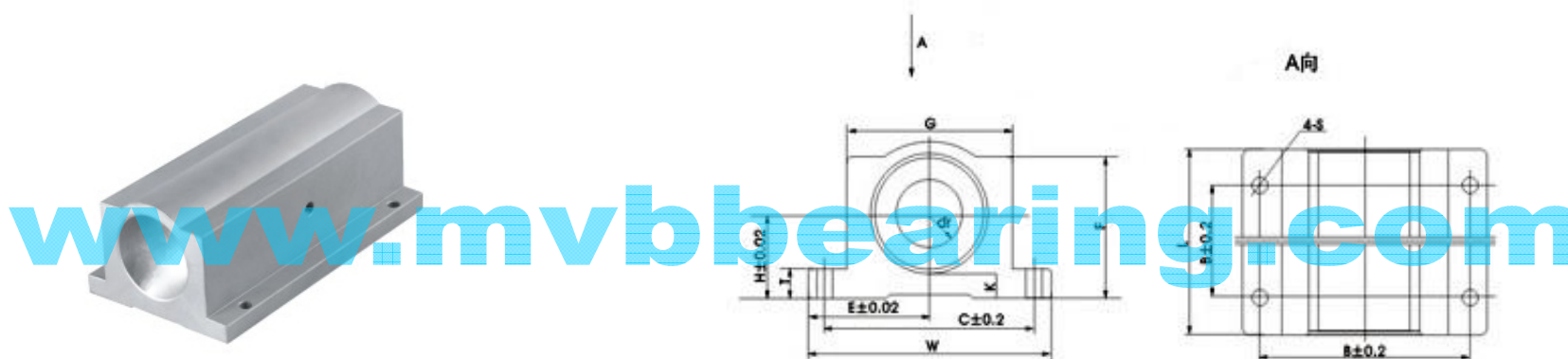


Linear Motion Bearings-Linear Bearing Slide Unit 直线轴承箱式单元 SWA..L Series



标准型 Standard		通用尺寸Nominal Dimensions(mm)												重量 Weight (Kg)
型号 Designation	内装轴承 Liner Bearing	轴径 Shaft Diameter	H	E	W	L	F	T	G	K	B	C	S1	
SWA8L	2×SW8UU	12.7	17.45	25.4	50.8	88.9	28.58	6.35	34.93	6.342	63.5	42.88	3.94	0.18
SWA10L	2×SW10UU	15.875	22.22	31.75	63.5	101.6	36.5	7.14	44.45	7.94	76.2	53.98	4.7	0.24
SWA12L	2×SW12UU	19.05	23.8	34.92	69.85	114.3	39.67	7.92	47.63	7.925	88.9	60.325	4.7	0.41
SWA16L	2×SW16UU	25.4	30.15	41.28	82.55	152.4	49.2	9.53	60.33	10.3	114.3	73.03	5.5	0.84
SWA20L	2×SW20UU	31.75	38.1	50.8	101.6	190.5	63.5	11.1	76.2	12.705	139.7	88.9	5.5	1.66
SWA24L	2×SW24UU	38.1	44.45	60.32	120.65	228.6	74.6	12.7	88.9	14.29	165.1	104.78	7.1	2.6