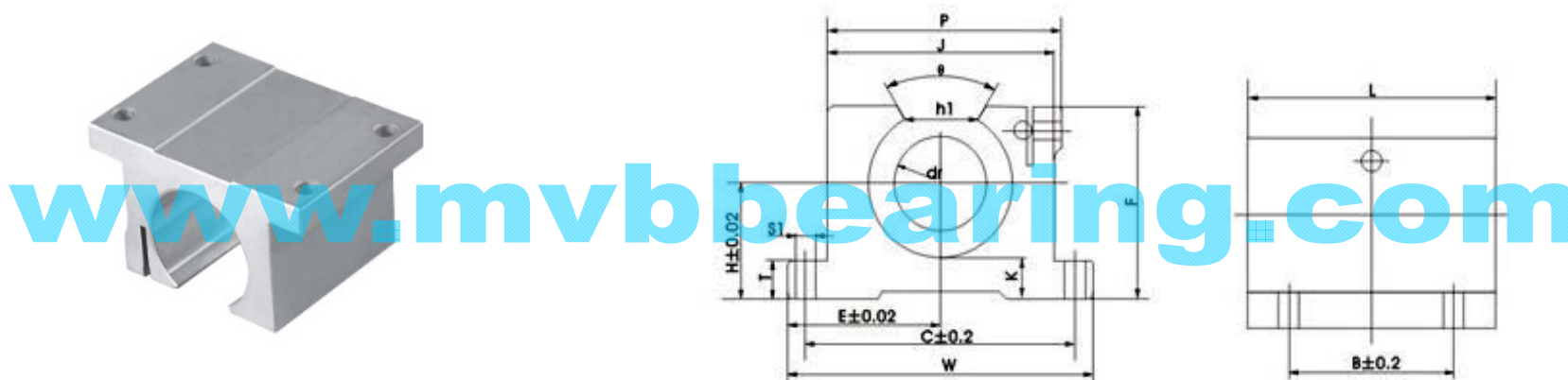


# Linear Motion Bearings-Linear Bearing Slide Unit 直线轴承箱式单元 SWD Series



标准型 Standard		通用尺寸Nominal Dimensions(mm)														重量 Weight (Kg)	
型号 Designation	内装轴承 Liner Bearing	轴径 Shaft Diameter	H	E	W	L	F	θ	T	h1	K	J	P	B	C		S1
SWD8	SW8UUOP	12.7	17.45	26.5	53	38.1	28.7	60°	6.53	10.64	6.342	35.75	36.5	25.4	42.88	3.96	0.071
SWD10	SW10UUOP	15.875	22.22	31.75	63.5	44.45	36.53	60°	7.11	13.49	7.942	44.5	46.04	28.57	53.97	4.75	0.126
SWD12	SW12UUOP	19.05	23.8	34.92	69.85	47.6	39.7	60°	7.87	15.87	7.925	48.41	49.98	31.75	60.325	4.75	0.158
SWD16	SW16UUOP	25.4	30.15	41.27	82.55	66.67	50.8	60°	9.65	19.3	10.3	61.11	62.69	44.45	73.03	5.54	0.355
SWD20	SW20UUOP	31.75	38.1	50.8	101.6	85.67	63.5	60°	11.1	24.2	12.705	76.2	78.58	50.8	88.9	5.54	0.679
SWD24	SW24UUOP	38.1	44.45	60.32	120.65	95.25	74.6	60°	12.7	30.16	14.29	88.9	90.48	63.5	104.78	7.137	0.926