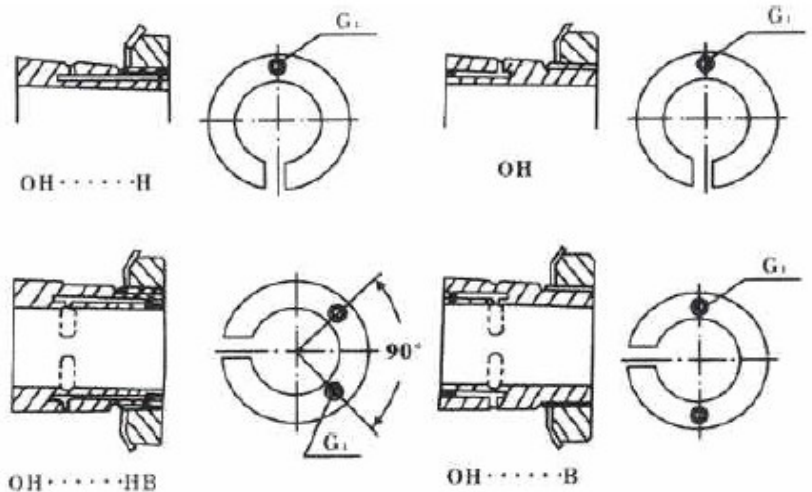
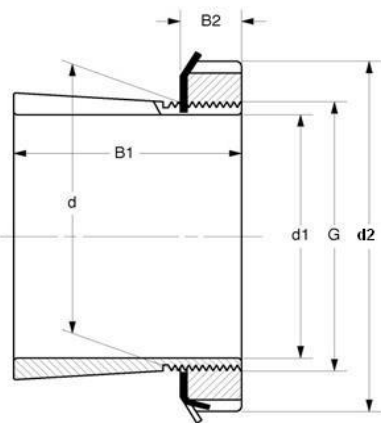


Hydraulic Adapter Sleeves 紧定套

H3900,H3000,H3100,H2300,OH3000,OH3100,OH2300 Series



Bore Size=160 to 170mm



MVB	Dimensions (mm)							Weight	Appertaining Device	
Item No.	d ₁	d	d ₂	B ₁	B ₂	G	G ₁	(kg)	Lock Nut	Lock Washer
H3936	160	180	210	87	30	M180×3	-	5.6	KML36	MBL36
H3036	160	180	210	109	30	M180×3	-	6.7	KML36	MBL36
OH3036	160	180	210	109	30	M180×3	M6	6.7	KML36	MBL36
OH3036H	160	180	210	109	30	M180×3	M6	6.7	KML36	MBL36
OH3036B	160	180	210	109	30	M180×3	M6	6.7	KML36	MBL36
OH3036HB	160	180	210	109	30	M180×3	M6	6.7	KML36	MBL36
H3136	160	180	230	131	30	M180×3	-	9.15	KM36	MB36
OH3136	160	180	230	131	30	M180×3	M6	9.15	KM36	MB36
OH3136H	160	180	230	131	30	M180×3	M6	9.15	KM36	MB36
OH3136B	160	180	230	131	30	M180×3	M6	9.15	KM36	MB36
OH3136HB	160	180	230	131	30	M180×3	M6	9.15	KM36	MB36
H2336	160	180	230	161	30	M180×3	-	11	KM36	MB36
OH2336	160	180	230	161	30	M180×3	M6	11	KM36	MB36
OH2336H	160	180	230	161	30	M180×3	M6	11	KM36	MB36
OH2336B	160	180	230	161	30	M180×3	M6	11	KM36	MB36
OH2336HB	160	180	230	161	30	M180×3	M6	11	KM36	MB36
H3938	170	190	220	89	31	M190×3	-	6.3	KML38	MBL38
H3038	170	190	220	112	31	M190×3	-	7.25	KML38	MBL38
OH3038	170	190	220	112	31	M190×3	M6	7.25	KML38	MBL38
OH3038H	170	190	220	112	31	M190×3	M6	7.25	KML38	MBL38
OH3038B	170	190	220	112	31	M190×3	M6	7.25	KML38	MBL38
OH3038HB	170	190	220	112	31	M190×3	M6	7.25	KML38	MBL38
H3138	170	190	240	141	31	M190×3	-	10.5	KM38	MB38
OH3138	170	190	240	141	31	M190×3	M6	10.5	KM38	MB38
OH3138H	170	190	240	141	31	M190×3	M6	10.5	KM38	MB38
OH3138B	170	190	240	141	31	M190×3	M6	10.5	KM38	MB38
OH3138HB	170	190	240	141	31	M190×3	M6	10.5	KM38	MB38
H2338	170	190	240	169	31	M190×3	-	12	KM38	MB38
OH2338	170	190	240	169	31	M190×3	M6	12	KM38	MB38
OH2338H	170	190	240	169	31	M190×3	M6	12	KM38	MB38
OH2338B	170	190	240	169	31	M190×3	M6	12	KM38	MB38
OH2338HB	170	190	240	169	31	M190×3	M6	12	KM38	MB38