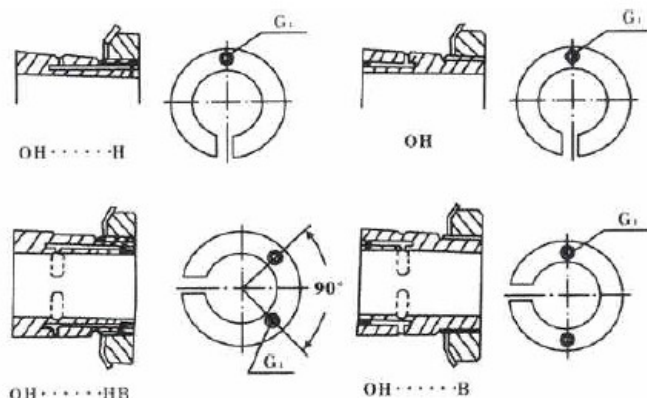
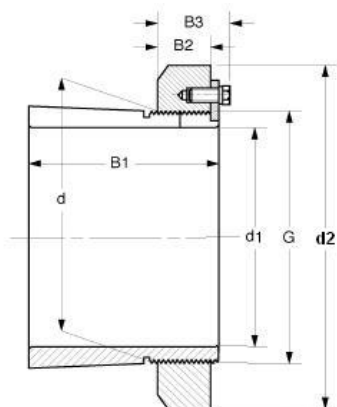


Hydraulic Adapter Sleeves 紧定套

H3900,H3000,H3100,H3200,OH3000,OH3100,OH3000,OH3900 Series



Bore Size=360 to 380mm



MVB	Dimensions (mm)								Weight	Appertaining Device	
Item No.	d ₁	d	d ₂	B ₁	B ₂	B ₃	G	G ₁	(kg)	Lock Nut	Lock Washer
H3076	360	380	450	193	48	62	Tr380×5	-	35.5	HM76	MS76
OH3076	360	380	450	193	48	62	Tr380×5	M6	35.5	HM76	MS76
OH3076H	360	380	450	193	48	62	Tr380×5	M6	35.5	HM76	MS76
OH3076B	360	380	450	193	48	62	Tr380×5	M6	35.5	HM76	MS76
OH3076HB	360	380	450	193	48	62	Tr380×5	M6	35.5	HM76	MS76
H3176	360	380	490	264	60	77	Tr380×5	-	61.5	HML76	MSL76
OH3176	360	380	490	264	60	77	Tr380×5	M6	61.5	HML76	MSL76
OH3176H	360	380	490	264	60	77	Tr380×5	M6	61.5	HML76	MSL76
OH3176B	360	380	490	264	60	77	Tr380×5	M6	61.5	HML76	MSL76
OH3176HB	360	380	490	264	60	77	Tr380×5	M6	61.5	HML76	MSL76
H3276	360	380	490	310	60	77	Tr380×5	-	61.5	HML76	MSL76
OH3276	360	380	490	310	60	77	Tr380×5	M6	61.5	HML76	MSL76
OH3276H	360	380	490	310	60	77	Tr380×5	M6	61.5	HML76	MSL76
OH3276B	360	380	490	310	60	77	Tr380×5	M6	61.5	HML76	MSL76
OH3276HB	360	380	490	310	60	77	Tr380×5	M6	61.5	HML76	MSL76
H3980	380	400	470	168	52	66	Tr400×5	-	35	MS80	MS80
OH3980	380	400	470	168	52	66	Tr400×5	M6	35	MS80	MS80
OH3980H	380	400	470	168	52	66	Tr400×5	M6	35	MS80	MS80
OH3980B	380	400	470	168	52	66	Tr400×5	M6	35	MS80	MS80
OH3980HB	380	400	470	168	52	66	Tr400×5	M6	35	MS80	MS80
H3080	380	400	470	210	52	66	Tr400×5	-	40	MS80	MS80
OH3080	380	400	470	210	52	66	Tr400×5	M6	40	MS80	MS80
OH3080H	380	400	470	210	52	66	Tr400×5	M6	40	MS80	MS80
OH3080B	380	400	470	210	52	66	Tr400×5	M6	40	MS80	MS80
OH3080HB	380	400	470	210	52	66	Tr400×5	M6	40	MS80	MS80
H3180	380	400	520	272	62	82	Tr400×5	-	73	MSL80	MSL80
OH3180	380	400	520	272	62	82	Tr400×5	M6	73	MSL80	MSL80
OH3180H	380	400	520	272	62	82	Tr400×5	M6	73	MSL80	MSL80
OH3180B	380	400	520	272	62	82	Tr400×5	M6	73	MSL80	MSL80
OH3180HB	380	400	520	272	62	82	Tr400×5	M6	73	MSL80	MSL80