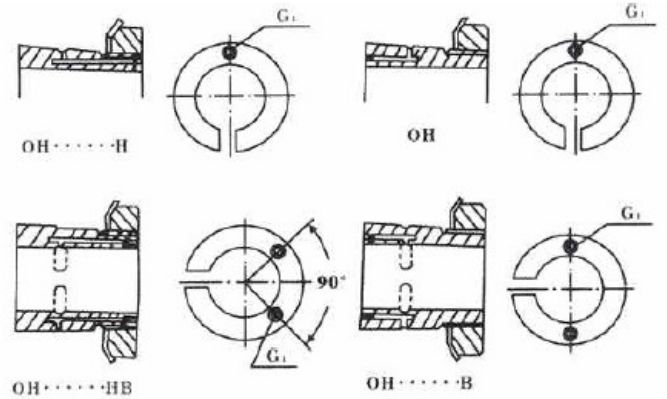
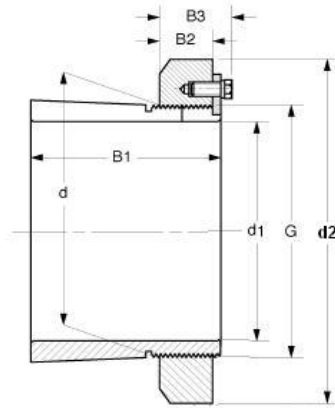


Hydraulic Adapter Sleeves 紧定套

H3900,H3000,H3100,H3200,OH3000,OH3100,OH3000,OH3900 Series



Bore Size=380 to 410mm



MVB	Dimensions (mm)								Weight	Appertaining Device	
Item No.	d1	d	d2	B1	B2	B3	G	G ₁	(kg)	Lock Nut	Lock Washer
H3280	380	400	520	328	62	82	Tr400×5	-	87	HM80	MS80
OH3280	380	400	520	328	62	82	Tr400×5	M6	87	HM80	MS80
OH3280H	380	400	520	328	62	82	Tr400×5	M6	87	HM80	MS80
OH3280B	380	400	520	328	62	82	Tr400×5	M6	87	HM80	MS80
OH3280HB	380	400	520	328	62	82	Tr400×5	M6	87	HM80	MS80
H3984	400	420	490	168	52	66	Tr420×5	-	36	HML84	MSL84
OH3984	400	420	490	168	52	66	Tr420×5	M6	36	HML84	MSL84
OH3984H	400	420	490	168	52	66	Tr420×5	M6	36	HML84	MSL84
OH3984B	400	420	490	168	52	66	Tr420×5	M6	36	HML84	MSL84
OH3984HB	400	420	490	168	52	66	Tr420×5	M6	36	HML84	MSL84
H3084	400	420	490	212	52	66	Tr420×5	-	47	HML84	MSL84
OH3084	400	420	490	212	52	66	Tr420×5	M6	47	HML84	MSL84
OH3084H	400	420	490	212	52	66	Tr420×5	M6	47	HML84	MSL84
OH3084B	400	420	490	212	52	66	Tr420×5	M6	47	HML84	MSL84
OH3084HB	400	420	490	212	52	66	Tr420×5	M6	47	HML84	MSL84
H3184	400	420	540	304	70	90	Tr420×5	-	80	HM84	MS84
OH3184	400	420	540	304	70	90	Tr420×5	M6	80	HM84	MS84
OH3184H	400	420	540	304	70	90	Tr420×5	M6	80	HM84	MS84
OH3184B	400	420	540	304	70	90	Tr420×5	M6	80	HM84	MS84
OH3184HB	400	420	540	304	70	90	Tr420×5	M6	80	HM84	MS84
H3284	400	420	540	352	70	90	Tr420×5	-	96	HM84	MS84
OH3284	400	420	540	352	70	90	Tr420×5	M6	96	HM84	MS84
OH3284H	400	420	540	352	70	90	Tr420×5	M6	96	HM84	MS84
OH3284B	400	420	540	352	70	90	Tr420×5	M6	96	HM84	MS84
OH3284HB	400	420	540	352	70	90	Tr420×5	M6	96	HM84	MS84
H3988	410	440	520	189	60	77	Tr440×5	-	58	HML88	MSL88
OH3988	410	440	520	189	60	77	Tr440×5	M6	58	HML88	MSL88
OH3988H	410	440	520	189	60	77	Tr440×5	M6	58	HML88	MSL88
OH3988B	410	440	520	189	60	77	Tr440×5	M6	58	HML88	MSL88
OH3988HB	410	440	520	189	60	77	Tr440×5	M6	58	HML88	MSL88