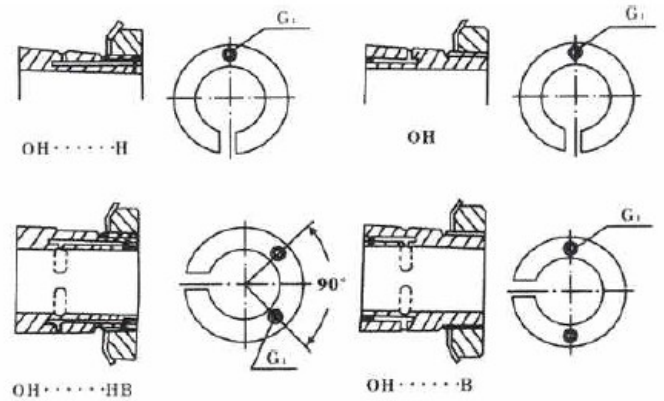
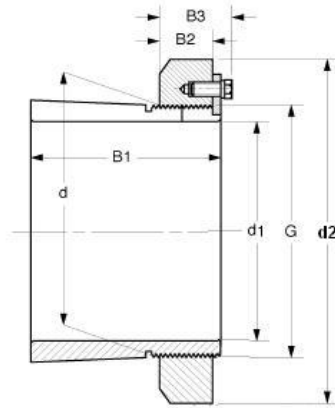


Hydraulic Adapter Sleeves 紧定套

H3900,H3000,H3100,H3200,OH3000,OH3100,OH3000,OH3900 Series



Bore Size=430 to 470mm



MVB	Dimensions (mm)								Weight	Appertaining Device	
Item No.	d1	d	d2	B1	B2	B3	G	G ₁	(kg)	Lock Nut	Lock Washer
H3292	430	460	580	382	75	95	Tr460×5	-	134	HM92	MS92
OH3292	430	460	580	382	75	95	Tr460×5	M8	134	HM92	MS92
OH3292H	430	460	580	382	75	95	Tr460×5	M8	134	HM92	MS92
OH3292B	430	460	580	382	75	95	Tr460×5	M8	134	HM92	MS92
OH3292HB	430	460	580	382	75	95	Tr460×5	M8	134	HM92	MS92
H3996	450	480	560	200	60	77	Tr480×5	-	66	HML96	MSL96
OH3996	450	480	560	200	60	77	Tr480×5	M8	66	HML96	MSL96
OH3996H	450	480	560	200	60	77	Tr480×5	M8	66	HML96	MSL96
OH3966B	450	480	560	200	60	77	Tr480×5	M8	66	HML96	MSL96
OH3996HB	450	480	560	200	60	77	Tr480×5	M8	66	HML96	MSL96
H3096	450	480	560	237	60	77	Tr480×5	-	75	HML96	MSL96
OH3096	450	480	560	237	60	77	Tr480×5	M8	75	HML96	MSL96
OH3096H	450	480	560	237	60	77	Tr480×5	M8	75	HML96	MSL96
OH3096B	450	480	560	237	60	77	Tr480×5	M8	75	HML96	MSL96
OH3096HB	450	480	560	237	60	77	Tr480×5	M8	75	HML96	MSL96
H3196	450	480	620	335	75	95	Tr480×5	-	135	HM96	MS96
OH3196	450	480	620	335	75	95	Tr480×5	M8	135	HM96	MS96
OH3196H	450	480	620	335	75	95	Tr480×5	M8	135	HM96	MS96
OH3196B	450	480	620	335	75	95	Tr480×5	M8	135	HM96	MS96
OH3196HB	450	480	620	335	75	95	Tr480×5	M8	135	HM96	MS96
H3296	450	480	620	397	75	95	Tr480×5	-	153	HM96	MS96
OH3296	450	480	620	397	75	95	Tr480×5	M8	153	HM96	MS96
OH3296H	450	480	620	397	75	95	Tr480×5	M8	153	HM96	MS96
OH3296B	450	480	620	397	75	95	Tr480×5	M8	153	HM96	MS96
OH3296HB	450	480	620	397	75	95	Tr480×5	M8	153	HM96	MS96
H39/500	470	500	580	208	68	85	Tr500×5	-	74	HML/500	MSL/500
OH39/500	470	500	580	208	68	85	Tr500×5	M8	74	HML/500	MSL/500
OH39/500H	470	500	580	208	68	85	Tr500×5	M8	74	HML/500	MSL/500
OH39/500B	470	500	580	208	68	85	Tr500×5	M8	74	HML/500	MSL/500
OH39/500HB	470	500	580	208	68	85	Tr500×5	M8	74	HML/500	MSL/500