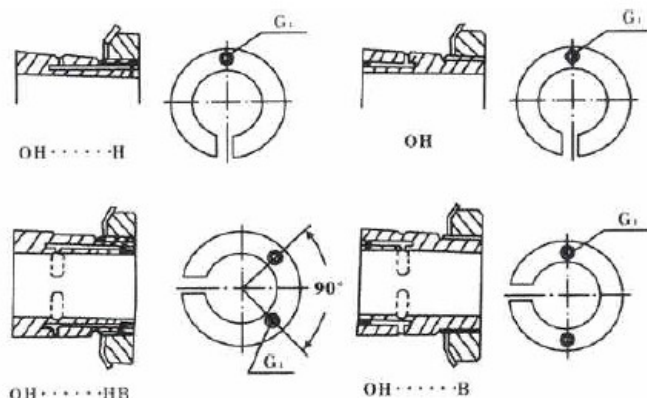
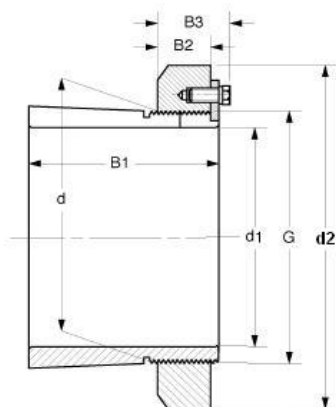


Hydraulic Adapter Sleeves 紧定套

H3900,H3000,H3100,H3200,OH3000,OH3100,OH3000,OH3900 Series



Bore Size=470 to 500mm



MVB	Dimensions (mm)								Weight	Appertaining Device	
Item No.	d1	d	d2	B1	B2	B3	G	G ₁	(kg)	Lock Nut	Lock Washer
H30/500	470	500	580	247	68	85	Tr500×5	-	82	HML/500	MS/500
OH30/500	470	500	580	247	68	85	Tr500×5	M8	82	HML/500	MS/500
OH30/500H	470	500	580	247	68	85	Tr500×5	M8	82	HML/500	MS/500
OH30/500B	470	500	580	247	68	85	Tr500×5	M8	82	HML/500	MS/500
OH30/500HB	470	500	580	247	68	85	Tr500×5	M8	82	HML/500	MS/500
H31/500	470	500	630	356	80	100	Tr500×5	-	145	HM/500	MS/500
OH31/500	470	500	630	356	80	100	Tr500×5	M8	145	HM/500	MS/500
OH31/500H	470	500	630	356	80	100	Tr500×5	M8	145	HM/500	MS/500
OH31/500B	470	500	630	356	80	100	Tr500×5	M8	145	HM/500	MS/500
OH31/500HB	470	500	630	356	80	100	Tr500×5	M8	145	HM/500	MS/500
H32/500	470	500	630	428	80	100	Tr500×5	-	170	HM/500	MS/500
OH32/500	470	500	630	428	80	100	Tr500×5	M8	170	HM/500	MS/500
OH32/500H	470	500	630	428	80	100	Tr500×5	M8	170	HM/500	MS/500
OH32/500B	470	500	630	428	80	100	Tr500×5	M8	170	HM/500	MS/500
OH32/500HB	470	500	630	428	80	100	Tr500×5	M8	170	HM/500	MS/500
H39/500	500	530	630	216	68	90	Tr530×5	-	88	HML/530	MSL/530
OH39/500	500	530	630	216	68	90	Tr530×5	M8	88	HML/530	MSL/530
OH39/500H	500	530	630	216	68	90	Tr530×5	M8	88	HML/530	MSL/530
OH39/500B	500	530	630	216	68	90	Tr530×5	M8	88	HML/530	MSL/530
OH39/500HB	500	530	630	216	68	90	Tr530×5	M8	88	HML/530	MSL/530
H30/530	500	530	630	265	68	90	Tr530×5	-	105	HML/530	MSL/530
OH30/530	500	530	630	265	68	90	Tr530×5	M8	105	HML/530	MSL/530
OH30/530H	500	530	630	265	68	90	Tr530×5	M8	105	HML/530	MSL/530
OH30/530B	500	530	630	265	68	90	Tr530×5	M8	105	HML/530	MSL/530
OH30/530HB	500	530	630	265	68	90	Tr530×5	M8	105	HML/530	MSL/530
H31/530	500	530	670	364	80	105	Tr530×5	-	161	HM/530	MS/530
OH31/530	500	530	670	364	80	105	Tr530×5	M8	161	HM/530	MS/530
OH31/530H	500	530	670	364	80	105	Tr530×5	M8	161	HM/530	MS/530
OH31/530B	500	530	670	364	80	105	Tr530×5	M8	161	HM/530	MS/530
OH31/530HB	500	530	670	364	80	105	Tr530×5	M8	161	HM/530	MS/530