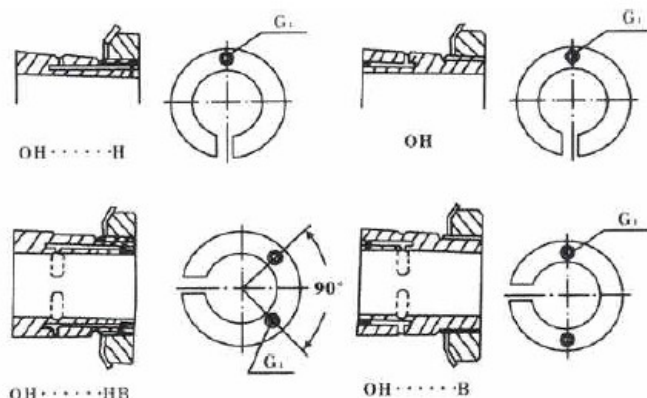
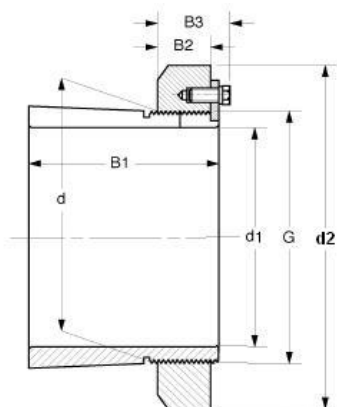


Hydraulic Adapter Sleeves 紧定套

H3900,H3000,H3100,H3200,OH3000,OH3100,OH3000,OH3900 Series



Bore Size=850 to 950mm



MVB	Dimensions (mm)								Weight	Appertaining Device	
Item No.	d1	d	d2	B1	B2	B3	G	G ₁	(kg)	Lock Nut	Lock Washer
H32/900	850	900	1120	660	125	154	Tr900×7	-	896	HM/900	MS/900
OH32/900	850	900	1120	660	125	154	Tr900×7	M8	896	HM/900	MS/900
OH32/900H	850	900	1120	660	125	154	Tr900×7	M8	896	HM/900	MS/900
OH32/900B	850	900	1120	660	125	154	Tr900×7	M8	896	HM/900	MS/900
OH32/900HB	850	900	1120	660	125	154	Tr900×7	M8	896	HM/900	MS/900
H39/950	900	950	1080	344	100	125	Tr950×8	-	413	HML/950	MSL/950
OH39/950	900	950	1080	344	100	125	Tr950×8	M8	413	HML/950	MSL/950
OH39/950H	900	950	1080	344	100	125	Tr950×8	M8	413	HML/950	MSL/950
OH39/950B	900	950	1080	344	100	125	Tr950×8	M8	413	HML/950	MSL/950
OH39/950HB	900	950	1080	344	100	125	Tr950×8	M8	413	HML/950	MSL/950
H30/950	900	950	1080	420	100	125	Tr950×8	-	486	HML/950	MSL/950
OH30/950	900	950	1080	420	100	125	Tr950×8	M8	486	HML/950	MSL/950
OH30/950H	900	950	1080	420	100	125	Tr950×8	M8	486	HML/950	MSL/950
OH30/950B	900	950	1080	420	100	125	Tr950×8	M8	486	HML/950	MSL/950
OH30/950HB	900	950	1080	420	100	125	Tr950×8	M8	486	HML/950	MSL/950
H31/950	900	950	1170	583	125	154	Tr950×8	-	855	HM/950	MS/950
OH31/950	900	950	1170	583	125	154	Tr950×8	M8	855	HM/950	MS/950
OH31/950H	900	950	1170	583	125	154	Tr950×8	M8	855	HM/950	MS/950
OH31/950B	900	950	1170	583	125	154	Tr950×8	M8	855	HM/950	MS/950
OH31/950HB	900	950	1170	583	125	154	Tr950×8	M8	855	HM/950	MS/950
H32/950	900	950	1170	675	125	154	Tr950×8	-	965	HM/950	MS/950
OH32/950	900	950	1170	675	125	154	Tr950×8	M8	965	HM/950	MS/950
OH32/950H	900	950	1170	675	125	154	Tr950×8	M8	965	HM/950	MS/950
OH32/950B	900	950	1170	675	125	154	Tr950×8	M8	965	HM/950	MS/950
OH32/950HB	900	950	1170	675	125	154	Tr950×8	M8	965	HM/950	MS/950
H39/1000	950	1000	1140	358	100	125	Tr1000×8	-	462	HML/950	MSL/1000
OH39/1000	950	1000	1140	358	100	125	Tr1000×8	M8	462	HML/950	MSL/1000
OH39/1000H	950	1000	1140	358	100	125	Tr1000×8	M8	462	HML/950	MSL/1000
OH39/1000B	950	1000	1140	358	100	125	Tr1000×8	M8	462	HML/950	MSL/1000
OH39/1000HB	950	1000	1140	358	100	125	Tr1000×8	M8	462	HML/950	MSL/1000