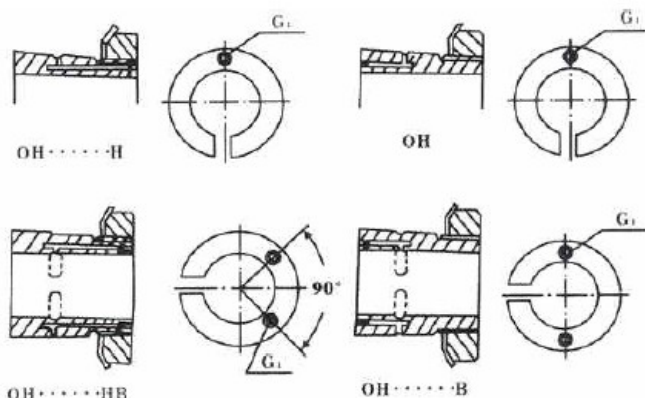
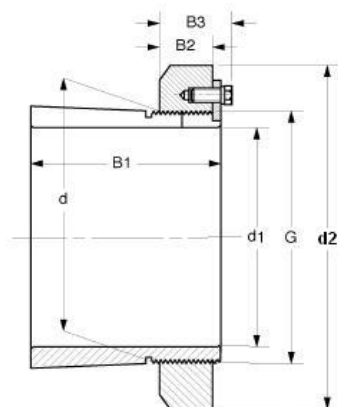


Hydraulic Adapter Sleeves 紧定套

H3900,H3000,H3100,H3200,OH3000,OH3100,OH3000,OH3900 Series



Bore Size=950 to 1000mm



MVB	Dimensions (mm)								Weight	Appertaining Device	
Item No.	d1	d	d2	B1	B2	B3	G	G ₁	(kg)	Lock Nut	Lock Washer
H30/1000	950	1000	1140	430	100	125	Tr1000×8	-	535	MHL/1000	MSL/1000
OH30/1000	950	1000	1140	430	100	125	Tr1000×8	M8	535	MHL/1000	MSL/1000
OH30/1000H	950	1000	1140	430	100	125	Tr1000×8	M8	535	MHL/1000	MSL/1000
OH30/1000B	950	1000	1140	430	100	125	Tr1000×8	M8	535	MHL/1000	MSL/1000
OH30/1000HB	950	1000	1140	430	100	125	Tr1000×8	M8	535	MHL/1000	MSL/1000
H31/1000	950	1000	1240	609	125	154	Tr1000×8	-	968	HM/1000	MS/1000
OH31/1000	950	1000	1240	609	125	154	Tr1000×8	M8	968	HM/1000	MS/1000
OH31/1000H	950	1000	1240	609	125	154	Tr1000×8	M8	968	HM/1000	MS/1000
OH31/1000B	950	1000	1240	609	125	154	Tr1000×8	M8	968	HM/1000	MS/1000
OH31/1000HB	950	1000	1240	609	125	154	Tr1000×8	M8	968	HM/1000	MS/1000
H39/1000	950	1000	1240	707	125	154	Tr1000×8	-	1092	HM/1000	MS/1000
OH39/1000	950	1000	1240	707	125	154	Tr1000×8	M8	1092	HM/1000	MB/1000
OH39/1000H	950	1000	1240	707	125	154	Tr1000×8	M8	1092	HM/1000	MB/1000
OH39/1000B	950	1000	1240	707	125	154	Tr1000×8	M8	1092	HM/1000	MB/1000
OH39/1000HB	950	1000	1240	707	125	154	Tr1000×8	M8	1092	HM/1000	MB/1000
H39/1000	1000	1060	1200	372	125	125	Tr1060×8	-	552	HML/1060	MSL/1060
OH39/1000	1000	1060	1200	372	125	125	Tr1060×8	M8	552	HML/1060	MSL/1060
OH39/1000H	1000	1060	1200	372	125	125	Tr1060×8	M8	552	HML/1060	MSL/1060
OH39/1000B	1000	1060	1200	372	125	125	Tr1060×8	M8	552	HML/1060	MSL/1060
OH39/1000HB	1000	1060	1200	372	125	125	Tr1060×8	M8	552	HML/1060	MSL/1060
H30/1060	1000	1060	1200	447	100	125	Tr1060×8	-	643	HML/1060	MSL/1060
OH30/1060	1000	1060	1200	447	100	125	Tr1060×8	M8	643	HML/1060	MSL/1060
OH30/1060H	1000	1060	1200	447	100	125	Tr1060×8	M8	643	HML/1060	MSL/1060
OH30/1060B	1000	1060	1200	447	100	125	Tr1060×8	M8	643	HML/1060	MSL/1060
OH30/1060HB	1000	1060	1200	447	100	125	Tr1060×8	M8	643	HML/1060	MSL/1060
H31/1060	1000	1060	1300	622	100	154	Tr1060×8	-	1115	HM/1060	MS/1060
OH31/1060	1000	1060	1300	622	100	154	Tr1060×8	M8	1115	HM/1060	MS/1060
OH31/1060H	1000	1060	1300	622	100	154	Tr1060×8	M8	1115	HM/1060	MS/1060
OH31/1060B	1000	1060	1300	622	100	154	Tr1060×8	M8	1115	HM/1060	MS/1060
OH31/1060HB	1000	1060	1300	622	100	154	Tr1060×8	M8	1115	HM/1060	MS/1060