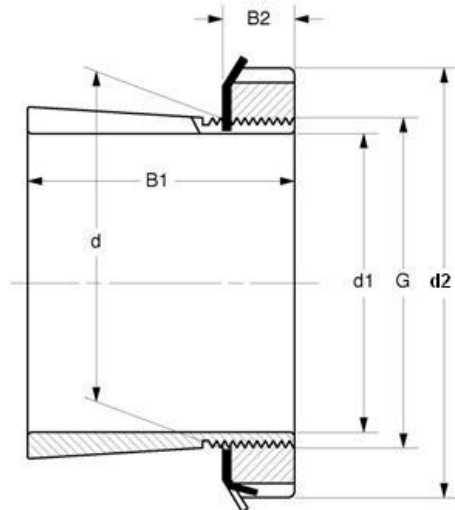


# Adapter Sleeves 紧定套

Inch Shaft Size HA200, HE200, HS200, HA2300, HE2300, HS2300 Series



Bore Size=1-5/8 to 2-1/4"



MVB	Dimensions (mm)						Weight	Appertaining Device	
Item No.	d1 (in)	d	d2	B1	B2	G	(kg)	Lock Nut	Lock Washer
HS210	1-5/8	50	70	37	12	M55x2	0.31	KM10	MB10
HS310		50	70	45	12	M55x2	0.36	KM10	MB10
HS2310		50	70	59	12	M55x2	0.4	KM10	MB10
HA210	1-11/16	50	70	35	12	M50x1.5	0.28	KM10	MB10
HA310		50	70	42	12	M50x1.5	0.32	KM10	MB10
HA2310		50	70	55	12	M50x1.5	0.4	KM10	MB10
HE210	1-3/4	50	70	35	12	M50x1.5	0.26	KM10	MB10
HE310		50	70	42	12	M50x1.5	0.29	KM10	MB10
HE2310		50	70	55	12	M50x1.5	0.36	KM10	MB10
HS211	1-7/8	55	75	37	12	M55x2	0.33	KM11	MB11
HS311		55	75	45	12	M55x2	0.38	KM11	MB11
HS2311		55	75	59	12	M55x2	0.48	KM11	MB11
HA211	1-15/16	55	75	37	12	M55x2	0.3	KM11	MB11
HA311		55	75	45	12	M55x2	0.34	KM11	MB11
HA2311		55	75	59	12	M55x2	0.42	KM11	MB11
HE211	2	55	75	37	12	M55x2	0.26	KM11	MB11
HE311		55	75	45	12	M55x2	0.29	KM11	MB11
HE2311		55	75	59	12	M55x2	0.36	KM11	MB11
HA212	2-1/16	60	80	38	13	M60x2	0.35	KM12	MB12
HA312		60	80	47	13	M60x2	0.4	KM12	MB12
HA2312		60	80	62	13	M60x2	0.49	KM12	MB12
HS212	2-1/8	60	80	38	13	M60x2	0.33	KM12	MB12
HS312		60	80	47	13	M60x2	0.38	KM12	MB12
HS2312		60	80	62	13	M60x2	0.48	KM12	MB12
HE212	2-1/4	60	80	38	13	M60x2	0.33	KM12	MB12
HE312		60	80	47	13	M60x2	0.38	KM12	MB12
HE2312		60	80	62	13	M60x2	0.48	KM12	MB12