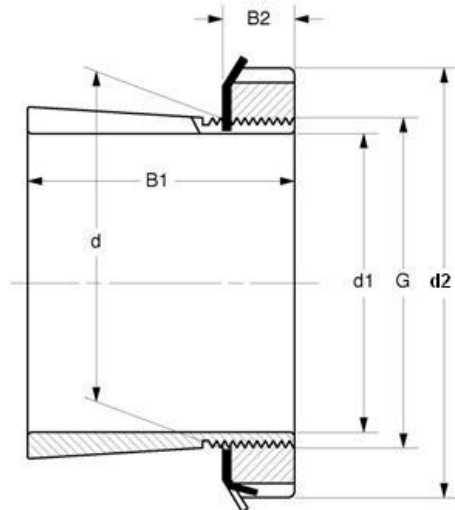


# Adapter Sleeves 紧定套

Inch Shaft Size HA200, HE200, HS200, HA2300, HE2300, HS2300 Series



Bore Size=2-3/16 to 2-3/4"



MVB	Dimensions (mm)						Weight	Appertaining Device	
Item No.	d1 (in)	d	d2	B1	B2	G	(kg)	Lock Nut	Lock Washer
HA213	2-3/16	65	85	40	14	M65x2	0.49	KM13	MB13
HA313		65	85	50	14	M65x2	0.58	KM13	MB13
HA2313		65	85	65	14	M65x2	0.75	KM13	MB13
HE213	2-1/4	60	80	40	14	M60x2	0.44	KM13	MB13
HE313		60	80	50	14	M60x2	0.52	KM13	MB13
HE2313		60	80	65	14	M60x2	0.65	KM13	MB13
HS213	2-3/8	65	85	40	14	M65x2	0.44	KM13	MB13
HS313		65	85	50	14	M65x2	0.71	KM13	MB13
HS2313		65	85	60	14	M65x2	0.8	KM13	MB13
HE214	2-1/4	70	92	41	14	M70x2	0.61	KM14	MB14
HE314		70	92	52	14	M70x2	0.73	KM14	MB14
HE2314		70	92	68	14	M70x2	0.92	KM14	MB14
HA215	2-7/16	75	98	43	15	M75x2	0.75	KM15	MB15
HA315		75	98	55	15	M75x2	0.9	KM15	MB15
HA2315		75	98	73	15	M75x2	1.15	KM15	MB15
HE215	2-1/2	75	98	43	15	M75x2	0.75	KM15	MB15
HE315		75	98	55	15	M75x2	0.9	KM15	MB15
HE2315		75	98	73	15	M75x2	1.12	KM15	MB15
HS215	2-5/8	75	98	43	15	M75x2	0.7	KM15	MB15
HS315		75	98	55	15	M75x2	0.81	KM15	MB15
HS2315		75	98	73	15	M75x2	0.93	KM15	MB15
HA216	2-11/16	80	105	46	17	M80x2	0.65	KM16	MB16
HA316		80	105	56	17	M80x2	0.8	KM16	MB16
HA2316		80	105	78	17	M80x2	1.05	KM16	MB16
HE216	2-3/4	80	105	46	17	M80x2	0.81	KM16	MB16
HE316		80	105	56	17	M80x2	0.97	KM16	MB16
HE2316		80	105	78	17	M80x2	1.2	KM16	MB16