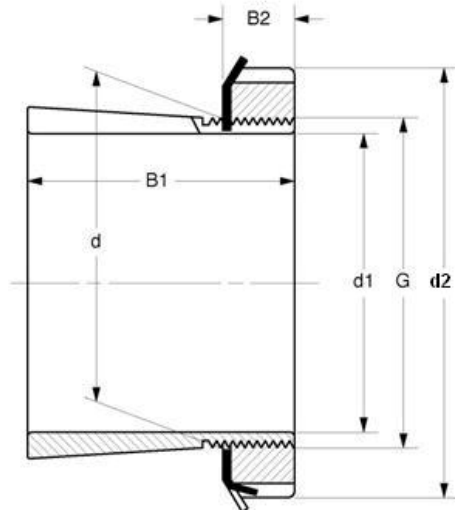


# Adapter Sleeves 紧定套

Inch Shaft Size HA200, HE200, HS200, HA2300, HE2300, HS2300 Series



Bore Size=2-7/8 to 3-5/16"



| MVB      | Dimensions (mm) |    |     |    |    |       | Weight | Appertaining Device |             |
|----------|-----------------|----|-----|----|----|-------|--------|---------------------|-------------|
| Item No. | d1 (in)         | d  | d2  | B1 | B2 | G     | (kg)   | Lock Nut            | Lock Washer |
| HS216    | 2-7/8           | 80 | 105 | 46 | 17 | M80x2 | 0.65   | KM16                | MB16        |
| HS316    |                 | 80 | 105 | 56 | 17 | M80x2 | 0.97   | KM16                | MB16        |
| HS2316   |                 | 80 | 105 | 78 | 17 | M80x2 | 1.20   | KM16                | MB16        |
| HS217    | 2-7/8           | 85 | 110 | 50 | 18 | M85x2 | 1.02   | KM17                | MB17        |
| HS317    |                 | 85 | 110 | 63 | 18 | M85x2 | 1.15   | KM17                | MB17        |
| HS2317   |                 | 85 | 110 | 82 | 18 | M85x2 | 1.44   | KM17                | MB17        |
| HA217    | 2-15/16         | 85 | 110 | 50 | 18 | M85x2 | 0.94   | KM17                | MB17        |
| HA317    |                 | 85 | 110 | 63 | 18 | M85x2 | 1.10   | KM17                | MB17        |
| HA2317   |                 | 85 | 110 | 82 | 18 | M85x2 | 1.40   | KM17                | MB17        |
| HE217    | 3               | 85 | 110 | 50 | 18 | M85x2 | 0.87   | KM17                | MB17        |
| HE317    |                 | 85 | 110 | 63 | 18 | M85x2 | 1.00   | KM17                | MB17        |
| HE2317   |                 | 85 | 110 | 82 | 18 | M85x2 | 1.30   | KM17                | MB17        |
| HS218    | 3-1/8           | 90 | 120 | 52 | 18 | M90x2 | 1.20   | KM18                | MB18        |
| HS318    |                 | 90 | 120 | 65 | 18 | M90x2 | 1.40   | KM18                | MB18        |
| HS2318   |                 | 90 | 120 | 86 | 18 | M90x2 | 1.92   | KM18                | MB18        |
| HA218    | 3-3/16          | 90 | 120 | 52 | 18 | M90x2 | 1.05   | KM18                | MB18        |
| HA318    |                 | 90 | 120 | 65 | 18 | M90x2 | 1.25   | KM18                | MB18        |
| HA2318   |                 | 90 | 120 | 86 | 18 | M90x2 | 1.50   | KM18                | MB18        |
| HE218    | 3-1/4           | 90 | 120 | 52 | 18 | M90x2 | 0.97   | KM18                | MB18        |
| HE318    |                 | 90 | 120 | 65 | 18 | M90x2 | 1.10   | KM18                | MB18        |
| HE2318   |                 | 90 | 120 | 86 | 18 | M90x2 | 1.40   | KM18                | MB18        |
| HE219    | 3-1/4           | 95 | 125 | 55 | 19 | M95x2 | 1.35   | KM19                | MB19        |
| HE319    |                 | 95 | 125 | 68 | 19 | M95x2 | 1.60   | KM19                | MB19        |
| HE2319   |                 | 95 | 125 | 90 | 19 | M95x2 | 2.00   | KM19                | MB19        |
| HA219    | 3-5/16          | 95 | 125 | 55 | 19 | M95x2 | 1.35   | KM19                | MB19        |
| HA319    |                 | 95 | 125 | 68 | 19 | M95x2 | 1.60   | KM19                | MB19        |
| HA2319   |                 | 95 | 125 | 90 | 19 | M95x2 | 2.00   | KM19                | MB19        |