

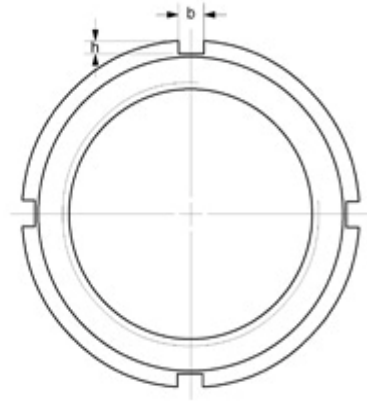
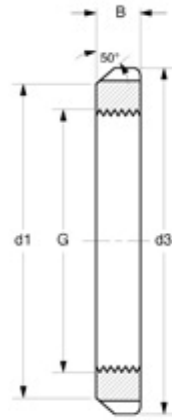
Lock Nut 锁紧螺母

KM (AN) Series



Thread Size

G=M10×0.75 to M115×2



MVB		Dimensions (mm)						Weight	Appertaining	
Item No.	Interchangeable No	G	d1	d3	B	b	h	(kg)	Lock Washer	Interchangeable No
KM00	AN00	M10×0.75	13.5	18	4	3	2	0.006	MB00	AW00
KM01	AN01	M12×1	17	22	4	3	2	0.008	MB01	AW01
KM02	AN02	M15×1	21	25	5	4	2	0.012	MB02	AW02
KM03	AN03	M17×1	24	28	5	4	2	0.014	MB03	AW03
KM04	AN04	M20×1	26	32	6	4	2	0.02	MB04	AW04
KM/22	AN/22	M22×1	28	34	6	4	2	0.022	MB/22	AW/22
KM05	AN05	M25×1.5	32	38	7	5	2	0.028	MB05	AW05
KM/28	AN/28	M28×1.5	36	42	7	5	2	0.032	MB/28	AW/28
KM06	AN06	M30×1.5	38	45	7	5	2	0.038	MB06	AW06
KM/32	AN/32	M32×1.5	40	48	8	5	2	0.042	MB/32	AW/32
KM07	AN07	M35×1.5	44	52	8	5	2	0.058	MB07	AW07
KM08	AN08	M40×1.5	50	58	9	6	2.5	0.078	MB08	AW08
KM09	AN09	M45×1.5	56	65	10	6	2.5	0.11	MB09	AW09
KM10	AN10	M50×1.5	61	70	11	6	2.5	0.14	MB10	AW10
KM11	AN11	M55×2	67	75	11	7	3	0.15	MB11	AW11
KM12	AN12	M60×2	73	80	11	7	3	0.16	MB12	AW12
KM13	AN13	M65×2	79	85	12	7	3	0.19	MB13	AW13
KM14	AN14	M70×2	85	92	12	8	3.5	0.22	MB14	AW14
KM15	AN15	M75×2	90	98	13	8	3.5	0.27	MB15	AW15
KM16	AN16	M80×2	95	105	15	8	3.5	0.36	MB16	AW16
KM17	AN17	M85×2	102	110	16	8	3.5	0.42	MB17	AW17
KM18	AN18	M90×2	108	120	16	10	4	0.51	MB18	AW18
KM19	AN19	M95×2	113	125	17	10	4	0.58	MB19	AW19
KM20	AN20	M100×2	120	130	18	10	4	0.68	MB20	AW20
KM21	AN21	M105×2	126	140	18	12	5	0.81	MB21	AW21
KM22	AN22	M110×2	133	145	19	12	5	0.89	MB22	AW22
KM23	AN23	M115×2	137	150	19	12	5	0.91	MB23	AW23