

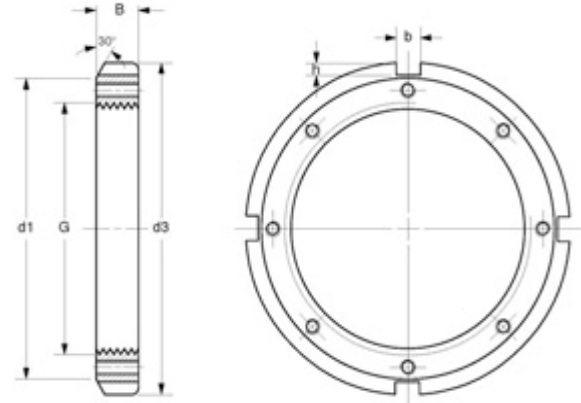
# Lock Nut 锁紧螺母

## HM (HN), HML (HNL) Series



Thread Size

G=Tr370×5 to Tr550×6



MVB		Dimensions (mm)						Weight	Appertaining
Item No.	Interchangeable No	G	d1	d3	B	b	h	(kg)	Lock Clip
HM74	HN74	Tr370×5	430	470	58	28	15	28.5	-
HML76	HNL76	Tr380×5	422	450	48	28	14	15	MSL76
HM76	HN76	Tr380×5	440	490	60	32	18	31	MS76
HML77	HNL77	Tr380×5	422	450	48	28	14	15.5	-
HML80	HNL80	Tr400×5	442	470	52	28	14	17	MSL76
HM80	HN80	Tr400×5	460	520	62	32	18	40	MSL80
HML82	HNL82	Tr410×5	452	480	52	32	14	19	-
HML84	HNL84	Tr420×5	462	490	52	32	14	21.5	MSL84
HM84	HN84	Tr420×5	490	540	70	32	18	47	MS80
HML86	HNL86	Tr430×5	472	500	52	32	14	22	-
HML88	HNL88	Tr440×5	490	520	60	32	15	30	MSL88
HM88	HN88	Tr440×5	510	560	70	36	20	48.5	MS88
HML90	HNL90	Tr450×5	490	520	60	32	15	24	-
HML92	HNL92	Tr460×5	510	540	60	32	15	28	MSL88
HM92	HN92	Tr460×5	540	580	75	36	20	51	MS88
HML94	HNL94	Tr470×5	510	540	60	32	15	27.5	-
HML96	HNL96	Tr480×5	530	560	60	36	15	29.5	MSL96
HM96	HN96	Tr480×5	560	620	75	36	20	62.5	MS96
HML98	HNL98	Tr490×5	550	580	60	36	15	34	-
HML/500	HNL100	Tr500×5	550	580	68	36	15	35	MSL96
HM/510	HN100	Tr500×5	580	630	80	40	23	64	MS/500
HM/510	HN102	Tr510×6	590	650	80	40	23	79	-
HML/520	HNL104	Tr520×6	570	600	68	36	15	37	-
HML/530	HNL06	Tr530×6	590	630	68	40	20	50	MSL/530
HM/530	HN106	Tr530×6	610	670	80	40	23	2	MS/530
HML/540	HNL108	Tr540×6	590	630	68	40	20	47	-
HM/550	HN110	Tr550×6	640	700	80	40	23	86	-