

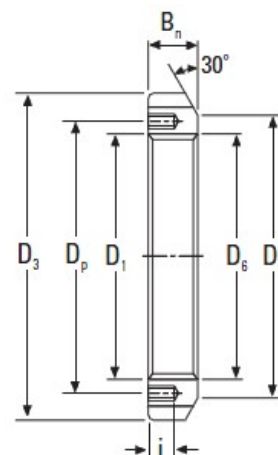
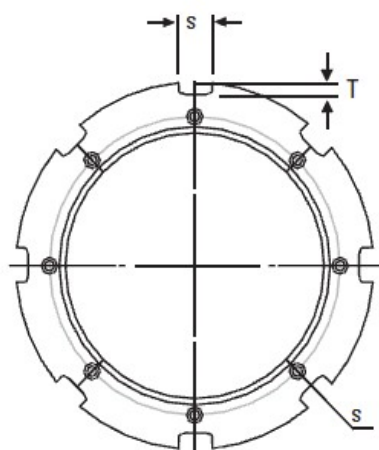
# Lock Nut 锁紧螺母

## AN=KM=HM31, ANL=KML=HM30 Series



### Thread Size

G=Tr220×4 to Tr500×5



| MVB            |                    | Dimensions (mm)       |                |                |    |    |                |                |    |                    |                | Suitable Lock Plate No | Weight (kg) |
|----------------|--------------------|-----------------------|----------------|----------------|----|----|----------------|----------------|----|--------------------|----------------|------------------------|-------------|
| Item No.       | Interchangeable No | D <sub>1</sub> Thread | D <sub>3</sub> | D <sub>4</sub> | S  | T  | D <sub>6</sub> | B <sub>n</sub> | i  | Tapped Hole Thread | D <sub>p</sub> |                        |             |
| KM / AN44      | HM3144             | Tr 220 x 4            | 280            | 250            | 20 | 10 | 222            | 32             | 15 | M 8 x 1.25         | 238            | MS3144                 | 5.2         |
| KM / AN48      | HM3148             | Tr 240 x 4            | 300            | 270            | 20 | 10 | 242            | 34             | 15 | M 8 x 1.25         | 258            | MS3148                 | 5.950       |
| KM / AN52      | HM3152             | Tr 260 x 4            | 330            | 300            | 24 | 12 | 262            | 36             | 18 | M 10 x 1.5         | 281            | MS3152                 | 8.050       |
| KM / AN56      | HM3156             | Tr 280 x 4            | 350            | 320            | 24 | 12 | 282            | 38             | 18 | M 10 x 1.5         | 301            | MS3156                 | 9.050       |
| KM / AN60      | HM3160             | Tr 300 x 4            | 380            | 340            | 24 | 12 | 302            | 40             | 18 | M 10 x 1.5         | 326            | MS3160                 | 11.800      |
| KM / AN64      | HM3164             | Tr 320 x 5            | 400            | 360            | 24 | 12 | 322.5          | 42             | 18 | M 10 x 1.5         | 345            | MS3164                 | 13.100      |
| KM / AN68      | HM3168             | Tr 340 x 5            | 440            | 400            | 28 | 15 | 342.5          | 55             | 21 | M 12 x 1.75        | 372            | MS3168                 | 23.100      |
| KM / AN72      | HM3172             | Tr 360 x 5            | 460            | 420            | 28 | 15 | 362.5          | 58             | 21 | M 12 x 1.75        | 392            | MS3172                 | 25.100      |
| KM / AN76      | HM3176             | Tr 380 x 5            | 490            | 450            | 32 | 18 | 382.5          | 60             | 21 | M 12 x 1.75        | 414            | MS3176                 | 30.900      |
| KM / AN80      | HM3180             | Tr 400 x 5            | 520            | 470            | 32 | 18 | 402.5          | 62             | 27 | M 16 x 2           | 439            | MS3180                 | 36.900      |
| KM / AN84      | HM3184             | Tr 420 x 5            | 540            | 490            | 32 | 18 | 422.5          | 70             | 27 | M 16 x 2           | 459            | MS3184                 | 43.500      |
| KM / AN88      | HM3188             | Tr 440 x 5            | 560            | 510            | 36 | 20 | 442.5          | 70             | 27 | M 16 x 2           | 477            | MS3188                 | 45.300      |
| KM / AN92      | HM3192             | Tr 460 x 5            | 580            | 540            | 36 | 20 | 462.5          | 75             | 27 | M 16 x 2           | 497            | MS3192                 | 50.400      |
| KM / AN96      | HM3196             | Tr 480 x 5            | 620            | 560            | 36 | 20 | 482.5          | 75             | 27 | M 16 x 2           | 527            | MS3196                 | 62.200      |
| KM / AN100     | HM31/500           | Tr 500 x 5            | 630            | 580            | 40 | 23 | 502.5          | 80             | 27 | M 16 x 2           | 539            | MS31/500               | 63.300      |
| KM / ANL44     | HM3044             | Tr 220 x 4            | 260            | 242            | 20 | 9  | 222            | 30             | 12 | M 6 x 1            | 229            | MS3044                 | 3.090       |
| KM / ANL48     | HM3048             | Tr 240 x 4            | 290            | 270            | 20 | 10 | 242            | 34             | 15 | M 8 x 1.25         | 253            | MS3048                 | 5.160       |
| KM / ANL52     | HM3052             | Tr 260 x 4            | 310            | 290            | 20 | 10 | 262            | 34             | 15 | M 8 x 1.25         | 273            | MS3052                 | 5.670       |
| KM / ANL56     | HM3056             | Tr 280 x 4            | 330            | 310            | 24 | 10 | 282            | 38             | 15 | M 8 x 1.25         | 293            | MS3056                 | 6.780       |
| KM / ANL60     | HM3060             | Tr 300 x 4            | 360            | 336            | 24 | 12 | 302            | 42             | 15 | M 8 x 1.25         | 316            | MS3060                 | 9.620       |
| KM / ANL64     | HM3064             | Tr 320 x 5            | 380            | 356            | 24 | 12 | 322.5          | 42             | 15 | M 8 x 1.25         | 335            | MS3064                 | 9.940       |
| KM / ANL68     | HM3068             | Tr 340 x 5            | 400            | 376            | 24 | 12 | 342.5          | 45             | 15 | M 8 x 1.25         | 355            | MS3068                 | 11.700      |
| KM / ANL72     | HM3072             | Tr 360 x 5            | 420            | 394            | 28 | 13 | 362.5          | 45             | 15 | M 8 x 1.25         | 374            | MS3072                 | 12.000      |
| KM / ANL76     | HM3076             | Tr 380 x 5            | 450            | 422            | 28 | 14 | 382.5          | 48             | 18 | M 10 x 1.5         | 398            | MS3076                 | 14.900      |
| KM / ANL80     | HM3080             | Tr 400 x 5            | 470            | 442            | 28 | 14 | 402.5          | 52             | 18 | M 10 x 1.5         | 418            | MS3080                 | 16.900      |
| KM / ANL84     | HM3084             | Tr 420 x 5            | 490            | 462            | 32 | 14 | 422.5          | 52             | 18 | M 10 x 1.5         | 438            | MS3084                 | 17.400      |
| KM / ANL88     | HM3088             | Tr 440 x 5            | 520            | 490            | 32 | 15 | 442.5          | 60             | 21 | M 12 x 1.75        | 462            | MS3088                 | 26.200      |
| KM / ANL92     | HM3092             | Tr 460 x 5            | 540            | 510            | 32 | 15 | 462.5          | 60             | 21 | M 12 x 1.75        | 482            | MS3092                 | 29.600      |
| KM / ANL96     | HM3096             | Tr 480 x 5            | 560            | 530            | 36 | 15 | 482.5          | 60             | 21 | M 12 x 1.75        | 502            | MS3096                 | 28.300      |
| KM / ANL / 100 | HM30/500           | Tr 500 x 5            | 580            | 550            | 36 | 15 | 502.5          | 68             | 21 | M 12 x 1.75        | 522            | MS30/500               | 33.600      |