

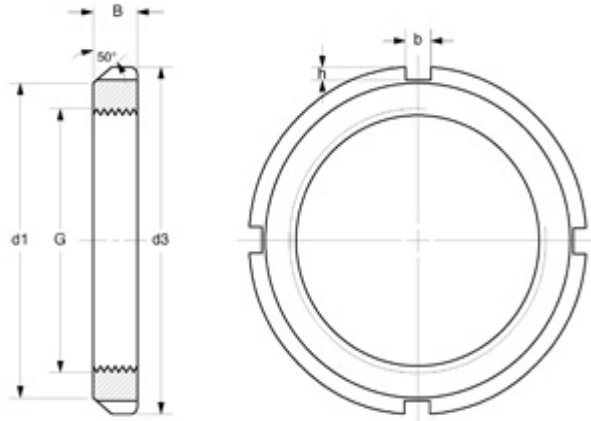
Inch Size Lock Nut 英制锁紧螺母

N00, AN00 Series



Thread Size

G=0.391"x32"/in~8.628"x8"/in



MVB		Dimensions (mm)					Weight (kg)	Lock Washer
Item No.	G	d1	d2	B	b	h		
N00	0.391x32/in	0.625	0.755	0.229	0.120	0.073	0.007	W00
N01	0.469x32/in	0.719	0.880	0.323	0.120	0.073	0.015	W01
N02	0.586x32/in	0.813	1.005	0.323	0.120	0.104	0.017	W02
N03	0.664x32/in	0.938	1.130	0.354	0.120	0.104	0.025	W03
N04	0.781x32/in	1.125	1.380	0.385	0.178	0.104	0.040	W04
N05	0.969x32/in	1.281	1.568	0.416	0.178	0.104	0.050	W05
N06	1.173x18/in	1.500	1.755	0.416	0.178	0.104	0.058	W06
N07	1.376x18/in	1.813	2.068	0.448	0.178	0.104	0.089	W07
N08	1.563x18/in	2.000	2.255	0.448	0.240	0.104	0.096	W08
N09	1.767x18/in	2.281	2.536	0.448	0.240	0.104	0.120	W09
N10	1.967x18/in	2.438	2.693	0.510	0.240	0.104	0.150	W10
N11	2.157x18/in	2.656	2.974	0.510	0.240	0.135	0.170	W11
N12	2.360x18/in	2.844	3.161	0.541	0.240	0.135	0.200	W12
N13	2.548x18/in	3.063	3.380	0.573	0.240	0.135	0.240	W13
N14	2.751x18/in	3.313	3.630	0.573	0.240	0.135	0.270	W14
AN15	2.933x12/in	3.563	3.880	0.604	0.360	0.135	0.320	W15
AN16	3.137x12/in	3.844	4.161	0.604	0.360	0.135	0.400	W16
AN17	3.340x12/in	4.031	4.411	0.635	0.360	0.166	0.450	W17
AN18	3.527x12/in	4.281	4.661	0.698	0.360	0.166	0.550	W18
AN19	3.730x12/in	4.563	4.943	0.729	0.360	0.166	0.700	W19
AN20	3.918x12/in	4.813	5.193	0.760	0.360	0.166	0.800	W20
AN21	4.122x12/in	5.000	5.443	0.760	0.485	0.198	0.850	W21
AN22	4.325x12/in	5.281	5.724	0.791	0.485	0.198	1.000	W22
AN24	4.716x12/in	5.688	6.130	0.823	0.485	0.198	1.150	W24
AN26	5.106x12/in	6.188	6.755	0.885	0.610	0.260	1.500	W26
AN28	5.497x12/in	6.531	7.099	0.948	0.610	0.260	1.650	W28
AN30	5.888x12/in	7.063	7.693	0.979	0.610	0.291	2.100	W30
AN32	6.284x8/in	7.438	8.068	1.041	0.610	0.291	2.350	W32
AN34	6.659x8/in	8.031	8.661	1.073	0.610	0.291	2.800	W34
AN36	7.066x8/in	8.375	9.068	1.104	0.735	0.323	3.150	W36
AN38	7.472x8/in	8.781	9.474	1.135	0.735	0.323	3.400	W38
AN40	7.847x8/in	9.156	9.849	1.198	0.735	0.323	3.700	W40
N44	8.628x8/in	9.843	11.005	1.260	0.980	0.510	4.700	W44