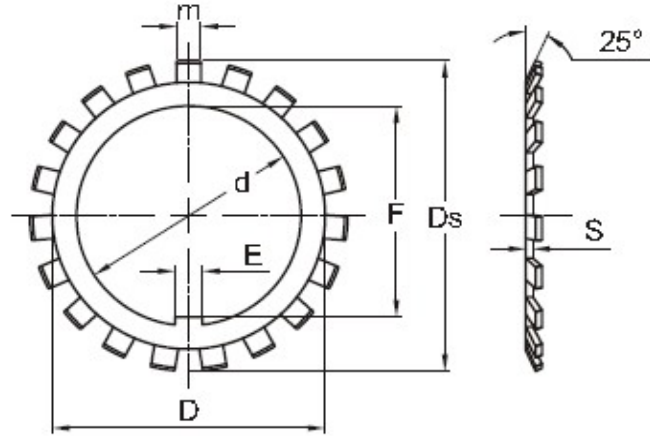
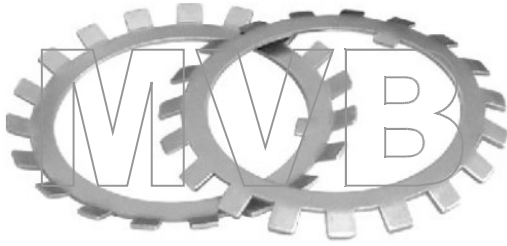


Lock Washer 锁紧垫圈

MB MBA MBL (AN) Series



Bore Size
d=10 ~ 280mm



Part Number		Dimensions							Mass (kg)
MVB	Interchangeable	d	Ds	D	S	E	F	m	
MB 0	AN 0	10	21	13.5	1.00	3	8.5	3	0.001
MB 1	AN 1	12	25	17	1.00	3	10.5	3	0.002
MB 1 A	AN 1 A	12	25	17	1.20	3	10.5	3	0.002
MB 2	AN 2	15	28	21	1.00	4	13.5	4	0.002
MB 2 A	AN 2 A	15	28	21	1.20	4	13.5	4	0.003
MB 3	AN 3	17	32	24	1.00	4	15.5	4	0.002
MB 3 A	AN 3 A	17	32	24	1.20	4	15.5	4	0.003
MB 4	AN 4	20	36	26	1.00	4	18.5	4	0.004
MB 4 A	AN 4 A	20	36	26	1.20	4	18.5	4	0.005
MB 5	AN 5	25	42	32	1.20	5	23.0	5	0.005
MB 5 A	AN 5 A	25	42	32	1.75	5	23.0	5	0.009
MB 6	AN 6	30	49	38	1.20	5	27.5	5	0.006
MB 6 A	AN 6 A	30	49	38	1.75	5	27.5	5	0.011
MB 7	AN 7	35	57	44	1.20	6	32.5	5	0.009
MB 7 A	AN 7 A	35	57	44	1.75	6	32.5	5	0.016
MB 8	AN 8	40	62	50	1.20	6	37.5	6	0.010
MB 8 A	AN 8 A	40	62	50	1.75	6	37.5	6	0.018
MB 9	AN 9	45	69	56	1.20	6	42.5	6	0.012
MB 9 A	AN 9 A	45	69	56	1.75	6	42.5	6	0.021
MB 10	AN 10	50	74	61	1.20	6	47.5	6	0.013
MB 10 A	AN 10 A	50	74	61	2.65	6	47.5	6	0.023
MB 11	AN 11	55	81	67	1.50	8	52.5	7	0.022
MB 11 A	AN 11 A	55	81	67	2.65	8	52.5	7	0.037
MB 12	AN 12	60	86	73	1.50	8	57.5	7	0.024
MB 12 A	AN 12 A	60	86	73	2.65	8	57.5	7	0.040
MB 13	AN 13	65	92	79	1.50	8	62.5	7	0.028
MB 13 A	AN 13 A	65	92	79	2.65	8	62.5	7	0.050