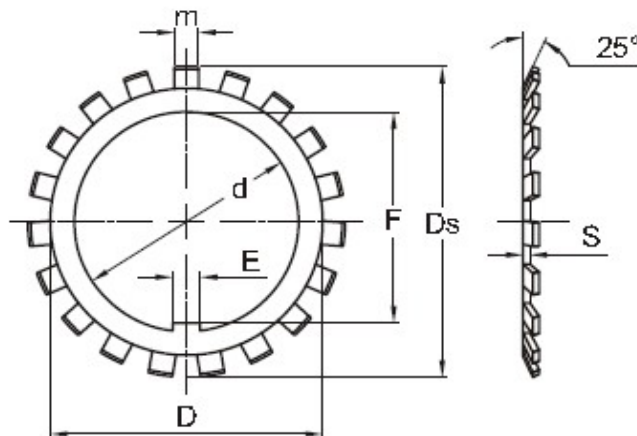
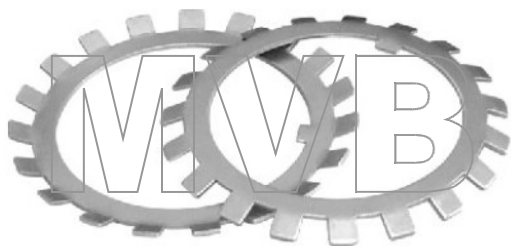


Lock Washer 锁紧垫圈

MB MBA MBL (AN) Series



Bore Size
d=10 ~ 280mm



Part Number		Dimensions							Mass (kg)
MVB	Interchangeable	d	Ds	D	S	E	F	m	
MBL 30	ANL 30	150	186	170	2.00	16	145.0	14	0.145
MB 31	AN 31	155	212	182	2.65	16	147.5	16	0.255
MB 32	AN 32	160	217	182	2.65	18	154.0	16	0.235
MBL 32	ANL 32	160	197	180	2.65	18	154.0	14	0.155
MB 33	AN 33	165	222	193	2.65	18	157.5	16	0.275
MB 34	AN 34	170	232	193	2.65	18	164.0	16	0.245
MBL 34	ANL 34	170	209	190	2.65	18	164.0	16	0.180
MB 36	AN 36	180	242	203	2.65	20	174.0	18	0.270
MBL 36	ANL 36	180	215	200	2.65	20	174.0	16	0.185
MB 38	AN 38	190	252	214	2.65	20	184.0	18	0.275
MBL 38	ANL 38	190	228	210	2.65	20	184.0	16	0.190
MB 40	AN 40	200	262	226	2.65	20	194.0	18	0.300
MBL 40	ANL 40	200	248	222	2.65	20	194.0	18	0.240
MB 44	AN 44	220	292	250	3.00	24	213.0	20	0.440
MB 48	AN 48	240	312	270	3.00	24	233.0	20	0.465
MB 52	AN 52	260	342	300	3.00	28	253.0	24	0.620
MB 56	AN 56	280	362	320	3.00	28	273.0	24	0.665