

Plummer Blocks, 剖分式轴承座

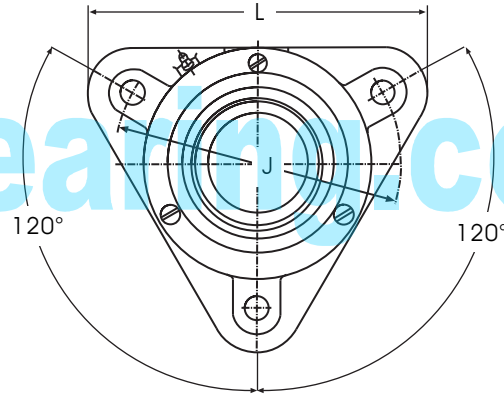
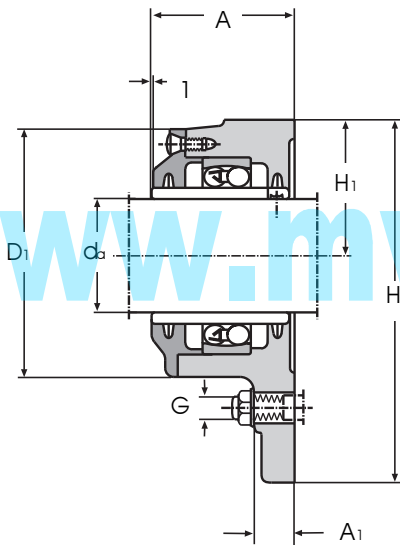
Split Bearing Housings, Split Pillow Block Housings



I-120000 Series

For Self-Aligning Ball Bearings or Spherical Roller Bearings with Adapter Sleeves

Stehlagergehäuse · Paliers à semelle en 2 parties · Soportes de rodamientos · Soportes de Pie · Soportes Bipartidos · CHUMACERAS
CHUMACEIRAS · Корпуса подшипников · Стационарные подшипниковые узлы · Supporti ritri in due metà



Housing Ref	Matching Bearing	Weight (kg)	d_a	D_1	H_1	H (mm)	A	L	A_1	J	G
I-120013	11204	0,8	20	67	35,0	93	42	105	10	90	M 10
I-120014	11205	1,0	25	73	38,0	100	46	110	10	96	M 10
I-120015	11206	1,4	30	84	44,0	117	50	130	12	116	M 10
I-120016	11207	1,8	35	95	48,5	130	54	145	12	130	M 12
I-120017	11208	2,3	40	105	54,0	143	60	160	12	140	M 12
I-120018	11209	3,3	45	115	60,0	160	63	180	15	160	M 12
I-120019	11210	3,7	50	115	60,0	160	63	180	15	160	M 12