

# Plummer Blocks, 剖分式轴承座

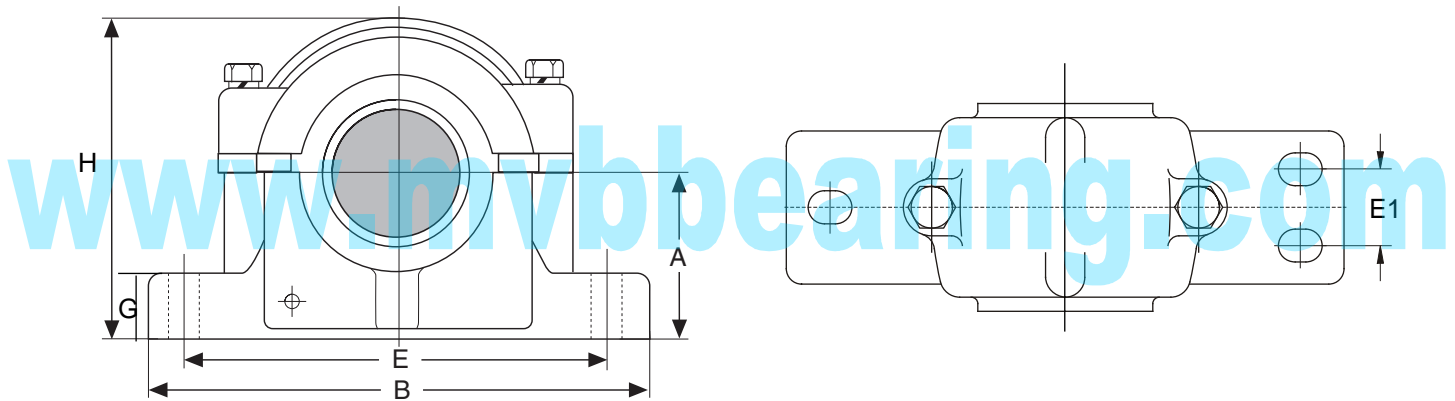
## Split Bearing Housings, Split Pillow Block Housings



### SAF500 Series

For Self-Aligning Ball Bearings or Spherical Roller Bearings with Adapter Sleeves

Stehlagergehäuse · Paliers à semelle en 2 parties · Soportes de rodamientos · Soportes de Pie · Soportes Bipartidos · CHUMACERAS  
CHUMACEIRAS · Корпуса подшипников · Стационарные подшипниковые узлы · Supporti ritti in due metà



Housing No.	A	B	P	G	E		E1	H	L	X	Bolts (No. Req'd)	Wt.	D	F	d1
	In.	In.	In.	In.	Max In.	Min In.	In.	In.	In.	In.	In.	lbs.*	mm	mm	In.
SAF507	2	7-1/2	2	7/8	6-1/8	5-5/8		3-7/8	3-1/4	1	(2)-1/2	7.2	80	8	1-3/16
SAF509	2-1/4	8-1/4	2-3/8	13/16	7	6-1/4		4-3/8	3-5/8	.114	(2)-1/2	9.3	85	29	1-7/16
SAF510	2-1/2	8-1/4	2-3/8	15/16	7	6-1/2		4-3/4	3-5/8	.133	(2)-1/2	10.2	90	30	1-11/16
SAF511	2-3/4	9-5/8	2-3/4	15/16	7-7/8	7-3/8		5-1/4	3-7/8	.114	(2)-5/8	12.5	3100	31	1-15/16
SAF513	3	11	3-1/8	1	9-1/2	8-1/8		5-15/16	4-1/2	.157	(2)-5/8	18.3	120	39	2-3/16
FSAF513	3	11	3-1/8	1	9-1/2	8-1/8	1-7/8	5-15/16	4-1/2	.157	(4)-1/2	18.3	120	39	2-3/16
SAF515	3-1/4	11-1/4	3-1/8	1-1/8	9-5/8	8-5/8		6-3/8	4-3/4	.118	(2)-5/8	18.3	130	37	2-7/16
FSAF515	3-1/4	11-1/4	3-1/8	1-1/8	9-5/8	8-5/8	1-7/8	6-3/8	4-3/4	.118	(4)-1/2	18.3	130	37	2-7/16
SAF516	3-1/2	13	3-1/2	1-3/16	11	9-5/8		6-7/8	4-7/8	.187	(2)-3/4	26.9	140	43	2-11/16
FSAF516	3-1/2	13	3-1/2	1-3/16	11	9-5/8	2-1/8	6-7/8	4-7/8	.187	(4)-5/8	26.9	140	43	2-11/16
SAF517	3-3/4	13	3-1/2	1-1/4	11	9-7/8		7-5/16	5	.187	(2)-3/4	29.8	150	46	2-15/16
FSAF517	3-3/4	13	3-1/2	1-1/4	11	9-7/8	2-1/8	7-5/16	5	.187	(4)-5/8	29.8	150	46	2-15/16
SAF518	4	13-3/4	3-7/8	1-5/16	11-5/8	10-3/8		7-3/4	5-3/4	.187	(2)-3/4	36.6	160	50	3-3/16
FSAF518	4	13-3/4	3-7/8	1-5/16	11-5/8	10-3/8	2-1/8	7-3/4	5-3/4	.187	(4)-5/8	36.6	160	50	3-3/16
SAF520	4-1/2	15-1/4	4-3/8	1-3/4	13-1/8	11-5/8		8-3/4	6-1/8	.187	(2)-7/8	50.2	180	56	3-7/16
FSAF520	4-1/2	15-1/4	4-3/8	1-3/4	13-1/8	11-5/8	2-3/8	8-3/4	6-1/8	.187	(4)-3/4	50.2	180	56	3-7/16
SAF522	4-15/16	16-1/2	4-3/4	2	14-1/2	12-5/8	2-3/4	9-5/8	6-1/2	.187	(4)-3/4	60.1	200	63	3-15/16
SAF524	5-1/4	16-1/2	4-3/4	2-1/8	14-1/2	13-1/4	2-3/4	10-1/4	7-3/8	.187	(4)-3/4	71.2	215	68	4-3/16
SAF526	6	18-3/4	5-1/8	2-3/8	16	14-5/8	3-1/4	11-1/2	8	.187	(4)-4/8	94.7	230	74	4-7/16
SAF528	6	20-1/8	5-7/8	2-3/8	17-1/8	16	3-3/8	11-3/4	7-5/8	.187	(4)-1	110.2	250	78	4-15/16
SAF530	6-5/16	21-1/4	6-1/4	2-1/2	18-1/4	17	3-3/4	12-1/2	8-3/8	.187	(4)-1	137.9	270	83	5-3/16
SAF532	6-11/16	22	6-1/4	2-5/8	19-1/4	17-3/8	3-3/4	13-5/16	8-3/4	.187	(4)-1	157.6	290	90	5-7/16
SAF534	7-1/16	24-3/4	6-3/4	2-3/4	21-5/8	19-3/8	4-1/4	14-3/16	9-5/8	.187	(4)-1	184.6	310	96	5-15/16
SAF536	7-1/2	26-3/4	7-1/8	3	23-5/8	20-7/8	4-5/8	14-7/16	10	.187	(4)-1	217.1	320	96	6-7/16
SAF538	7-7/8	28	7-1/2	3-1/8	24-3/8	21-5/8	4-1/2	15-11/16	10-3/4	.187	(4)-1 1/4	285	340	102	6-15/16
SAF540	8-1/4	29-1/2	8	3-3/8	25	22-1/2	5	16-1/2	11-1/4	.187	(4)-1 1/4	330	360	108	7-3/16
SAF544	9-1/2	32-3/4	8-3/4	3-3/4	27-7/8	24-3/4	5-1/4	18-5/8	12	.187	(4)-1 1/2	391.3	400	111	7-15/16

# Plummer Blocks,剖分式轴承座

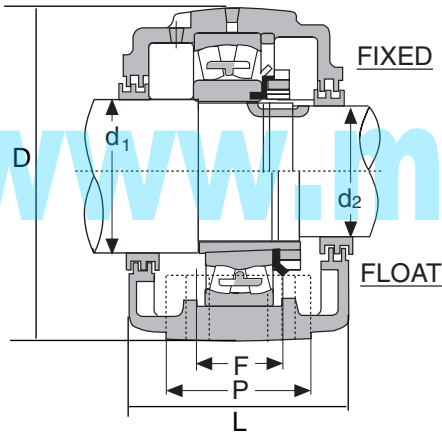
## Split Bearing Housings, Split Pillow Block Housings



### SAF500 Series

For Self-Aligning Ball Bearings or Spherical Roller Bearings with Adapter Sleeves

Stehlagergehäuse · Paliers à semelle en 2 parties · Soportes de rodamientos · Soportes de Pie · Soportes Bipartidos · CHUMACERAS  
CHUMACEIRAS · Корпуса подшипников · Стационарные подшипниковые узлы · Supporti ritti in due metà



www.mvbbearing.com

\*Weights are approximate

Note: Housings available in cast iron (SAF), Ductile (SAFD) or cast steel (SAFS).

LOR seals with O-rings are also available.

- (a) "Housing Only" includes - cap, base, cap bolts, labyrinth seals and fixing rings
- (b) Fixing Ring is used for fixed block only; do not use for float mounting
- (c) End Cover is optional

Shaft Size	Complete Unit Number	Housing Only <sup>(a)</sup>	Bearing Number	Adapters		Labyrinth Seals		Fixing Ring <sup>(b)</sup>		End Cover <sup>(c)</sup>
				SNW Type	H Type	LER	Tactonite	Size	Qty.	
1-3/16	SAF1507	SAF 507	1207K	SNW 07X1-3/16	HA 207X1-3/16	LER 13	---	FR72X8	2	---
	SAF2507		2207K	SNW 07X1-3/16	HA 307X1-3/16			FR72X10	1	
1-7/16	SAF1509	SAF 509	1209K	SNW 09X1-7/16	HA 209X1-7/16	LER 17	TER 17	FR85X5	2	EPR 03
	SAF2509		2209K	SNW 09X1-7/16	HA 309X1-7/16			FR85X6	1	
	SAF22509		22209K	SNW 09X1-7/16	HA 309X1-7/16			FR85X6	1	
1-11/16	SAF1510	SAF 510	1210K	SNW 10X1-11/16	HA 210X1-11/16	LER 20	TER 20	FR90X5	2	EPR 04
	SAF2510		2210K	SNW 10X1-11/16	HA 310X1-11/16			FR90X7	1	
	SAF22510		22210K	SNW 10X1-11/16	HA 310X1-11/16			FR90X7	1	
1-15/16	SAF1511	SAF 511	1211K	SNW 11X1-15/16	HA 211X1-15/16	LER 24	TER 24	FR100X10	1	EPR 05
	SAF2511		2211K	SNW 11X1-15/16	HA 311X1-15/16			FR100X6	1	
	SAF22511		22211K	SNW 11X1-15/16	HA 311X1-15/16			FR100X6	1	
2-3/16	SAF1513	SAF 513	1213K	SNW 13X2-3/16	HA 213X2-3/16	LER 29	TER 29	FR120X8	2	EPR 06
	SAF2513	FSAF 513	2213K	SNW 13X2-3/16	HA 313X2-3/16			FR120X8	1	
	SAF22513	22213K	SNW 13X2-3/16	HA 313X2-3/16	FR120X8			1		
2-7/16	SAF1515	SAF 515	1215K	SNW 15X2-7/16	HA 215X2-7/16	LER 37	TER 37	FR130X6	2	EPR 07
	SAF2515	FSAF 515	2215K	SNW 15X2-7/16	HA 315X2-7/16			FR130X10	1	
	SAF22515	22215K	SNW 15X2-7/16	HA 315X2-7/16	FR130X10			1		
2-11/16	SAF1516	SAF 516	1216K	SNW 16X2-11/16	HA 216X2-11/16	LER 44	TER 44	FR140X8.5	2	EPR 08
	SAF2516	FSAF 516	2216K	SNW 16X2-11/16	HA 316X2-11/16			FR140X10	1	
	SAF22516	22216K	SNW 16X2-11/16	HA 316X2-11/16	FR140X10			1		
2-15/16	SAF1517	SAF 517	1217K	SNW 17X2-15/16	HA 217X2-15/16	LER 53	TER 53	FR150X9	2	EPR 09
	SAF2517	FSAF 517	2217K	SNW 17X2-15/16	HA 317X2-15/16			FR150X10	1	
	SAF22517	22217K	SNW 17X2-15/16	HA 317X2-15/16	FR150X10			1		
3-3/16	SAF1518	SAF 518	1218K	SNW 18X3-3/16	HA 218X3-3/16	LER 188	TER 188	FR160X10	2	EPR 11
	SAF2518	FSAF 518	2218K	SNW 18X3-3/16	HA 318X3-3/16			FR160X10	1	
	SAF22518	22218K	SNW 18X3-3/16	HA 318X3-3/16	FR160X10			1		
3-7/16	SAF1520	SAF 520	1220K	SNW 20X3-7/16	HA 220X3-7/16	LER 102	TER 102	FR180X11	2	EPR 12
	SAF2520	FSAF 520	2220K	SNW 20X3-7/16	HA 320X3-7/16			FR180X10	1	
	SAF22520	22220K	SNW 20X3-7/16	HA 320X3-7/16	FR180X10			1		
3-15/16	SAF1522	SAF 522	1222K	SNW 22X3-15/16	HA 222X3-15/16	LER 109	TER 109	FR200X12.5	2	EPR 13
	SAF2522	2222K	SNW 22X3-15/16	HA 322X3-15/16	FR200X10			1		
	SAF22522	22222K	SNW 22X3-15/16	HA 322X3-15/16	FR200X10			1		
4-3/16	SAF22524	SAF 524	22224K	SNW 24X4-3/16	HA 3124X4-3/16	LER 113	TER 113	FR215X10	1	EPR 14
4-7/16	SAF22526	SAF 526	22226K	SNW 26X4-7/16	HA 3126X4-7/16	LER 117	TER 117	FR230X10	1	EPR 15
4-15/16	SAF22528	SAF 528	22228K	SNW 28X4-15/16	HA 3128X4-15/16	LER 122	TER 122	FR250X10	1	EPR 27
5-3/16	SAF22530	SAF 530	22230K	SNW 30X5-3/16	HA 3130X5-3/16	LER 125	TER 125	FR270X10	1	EPR 16
5-7/16	SAF22532	SAF 532	22232K	SNW 32X5-7/16	HA 3132X5-7/16	LER 130	TER 130	FR290X10	1	EPR 16
5-15/16	SAF22534	SAF 534	22234K	SNW 34X5-15/16	HA 3134X5-15/16	LER 140	TER 140	FR310X10	1	EPR 18
6-7/16	SAF22536	SAF 536	22236K	SNW 36X6-7/16	HA 3136X6-7/16	LER 148	TER 148	FR320X10	1	EPR 19
6-15/16	SAF22538	SAF 538	22238K	SNW 38X6-15/16	HA 3138X6-15/16	LER 155	TER 155	FR340X10	1	EPR 20
7-3/16	SAF22540	SAF 540	22240K	SNW 40X7-3/16	HA 3140X7-3/16	LER 159	TER 159	FR360X10	1	EPR 20
7-15/16	SAF22544	SAF 544	22244K	SNW 44X7-15/16	HA 3144X7-15/16	LER 167	TER 167	FR400X10	1	EPR 20