

Plummer Blocks, 剖分式轴承座

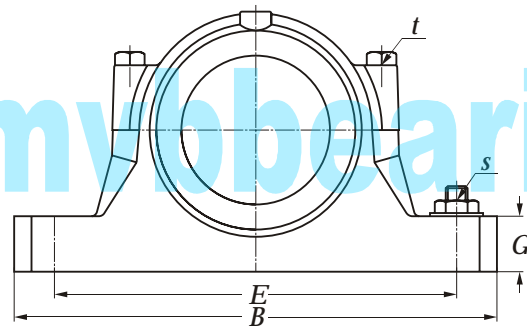
Split Bearing Housings, Split Pillow Block Housings



SN300 Series

For Self-Aligning Ball Bearings or Spherical Roller Bearings with Adapter Sleeves

Stehlagergehäuse · Paliers à semelle en 2 parties · Soportes de rodamientos · Soportes de Pie · Soportes Bipartidos · CHUMACERAS · CHUMACEIRAS · Корпуса подшипников · Стационарные подшипниковые узлы · Supporti ritri in due metà



www.mvbbearing.com

HOUSING SIZE	SHAFT DIAMETER	PLUMMER BLOCK HOUSING	PLUMMER BLOCK HOUSING DIMENSIONS (mm)										
	d (mm)		D (H8)	B	b	G	F (H13)	A (h13)	L	H	E	d_1 (H12)	d_2 (H13)
SN305	25	SN 305	62	185	52	22	34	50	80	90	150	31.5	43
SN306	30	SN 306	72	185	52	22	37	50	82	95	150	36.5	48
SN307	35	SN 307	80	205	60	25	41	60	90	110	170	46.5	58
SN308	40	SN 308	90	205	60	25	43	60	95	115	170	51.5	67
SN309	45	SN 309	100	255	70	28	46	70	105	130	210	56.5	72
SN310	50	SN 310	110	255	70	30	50	70	115	135	210	62.0	77
SN311	55	SN 311	120	275	80	30	53	80	120	150	230	67.0	82
SN312	60	SN 312	130	280	80	30	56	80	125	155	230	72.0	89
SN313	65	SN 313	140	315	90	32	58	95	130	175	260	77.0	94
SN315	75	SN 315	160	345	100	35	65	100	140	195	290	87.0	104
SN316	80	SN 316	170	345	100	35	68	112	145	215	290	92.0	111
SN317	85	SN 317	180	380	110	40	70	112	155	218	320	97.0	120
SN318	90	SN 318	190	400	110	33	74	112	160	230	320	102.0	125
SN319	95	SN 319	200	420	120	36	77	125	170	245	350	113.0	135
SN320	100	SN 320	215	420	120	38	83	140	175	280	350	118.0	140
SN322	110	SN 322	240	460	130	40	90	150	190	300	390	128.0	154
SN324	120	SN 324	260	540	160	50	96	160	205	325	450	138.0	164
SN326	130	SN 326	280	560	160	50	103	170	215	350	470	153.0	183
SN328	140	SN 328	300	630	170	55	112	180	235	375	520	163.0	193
SN330	150	SN 330	320	680	180	55	118	190	245	395	560	173.0	203
SN332	160	SN 332	340	710	190	60	124	200	255	415	580	183.0	213

Plummer Blocks, 剖分式轴承座

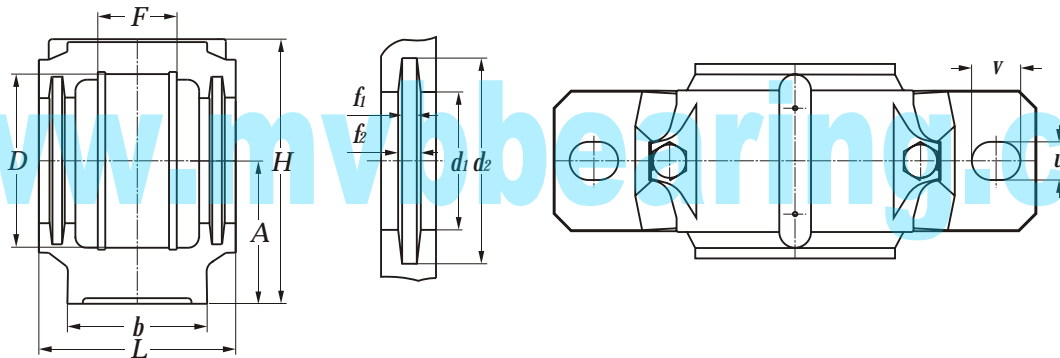
Split Bearing Housings, Split Pillow Block Housings



SN300 Series

For Self-Aligning Ball Bearings or Spherical Roller Bearings with Adapter Sleeves

Stehlagergehäuse · Paliers à semelle en 2 parties · Soportes de rodamientos · Soportes de Pie · Soportes Bipartidos · CHUMACERAS
CHUMACEIRAS · Корпуса подшипников · Стационарные подшипниковые узлы · Supporti ritri in due metà



PLUMMER BLOCK HOUSING DIMENSIONS (mm)

APPROPRIATE APARTMENT

f ₁	f ₂	u	v	s	t	WEIGHT Kg	BEARING NUMBER	LOCATING RING		FELT SEAL	END COVER
								NUMBER	QTY		
4	5.4	15	20	M 12	M 10	2.2	1305	SR 62X8.5	2	FS 6X6X120	305 NA
							2305	SR 62X10	1		
4	5.4	15	20	M 12	M 10	2.2	1306	SR 72X9	2	FS 6X6X135	306 NA
							2306	SR 72X10	1		
4	5.4	15	20	M 12	M 10	3.2	1307	SR 80X10	2	FS 6X6X165	510 NA
							2307	SR 80X10	1		
5	6.9	15	20	M 12	M 12	3.2	1308	SR 90X10	2	FS 6X9X190	511 NA-510 UA
							2308	SR 90X10	1		
5	6.9	18	23	M 16	M 12	4.8	1309	SR 100X10.5	2	FS 6X9X205	512 NA-511 UA
							2309	SR 100X10	1		
5	6.8	18	23	M 16	M 12	5.1	1310	SR 110X11.5	2	FS 6X9X220	513 NA-512 UA
							2310	SR 110X10	1		
5	6.8	18	23	M 16	M 12	6.4	1311	SR 120X12	2	FS 6X9X235	515 NA-513 UA
							2311	SR 120X10	1		
5	8.1	18	23	M 16	M 12	6.7	1312	SR 130X12.5	2	FS 8X10X255	516 NA
							2312	SR 130X10	1		
6	8.1	22	27	M 20	M 16	9.6	1313	SR 140X12.5	2	FS 8X10X270	517 NA-515 UA
							2313	SR 140X10	1		
6	8.1	22	27	M 20	M 16	13.4	1315	SR 160X14	2	FS 8X10X300	519 NA-517 UA
							2315	SR 160X10	1		
6	9.3	22	27	M 20	M 16	16.2	1316	SR 170X14.5	2	FS 9X10X320	520 NA-518 UA
							2316	SR 170X10	1		
7	10.8	26	32	M 24	M 20	18.2	1317	SR 180X14.5	2	FS 10X13X340	317 NA
							2317	SR 180X10	1		
8	10.8	26	35	M 24	M 20	18.7	1318	SR 190X15.5	2	FS 10X13X360	522 NA
							2318	SR 190X10	1		
8	10.7	26	35	M 24	M 20	23.6	1319	SR 200X16	2	FS 10X13X390	524 NA
							2319	SR 200X10	1		
8	10.7	26	35	M 24	M 20	25.7	1320	SR 215X18	2	FS 10X13X410	526 NA-519 UA
							2320	SR 215X10	1		
9	12.2	28	27	M 24	M 20	34	1322	SR 240X20	2		
							2322	SR 240X10	1		
9	12.2	33	27	M 24	M 24	45	22324	SR 260X10	1		
10	13.7	33	32	M 24	M 24	62	22326	SR 280X10	1		
10	13.7	35	35	M 30	M 24	68.8	22328	SR 300X10	1		
10	13.7	35	35	M 30	M 24	98	22330	SR 320X10	1		
10	13.7	42	35	M 30	M 24	116	22332	SR 340X10	1		