

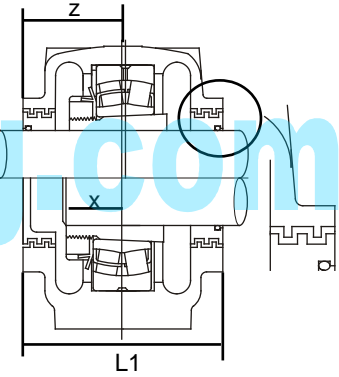
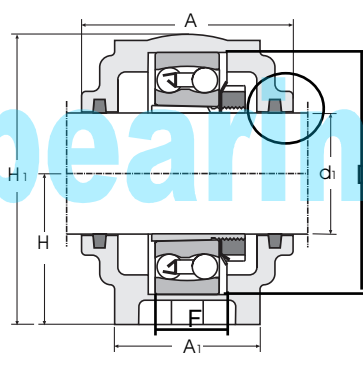
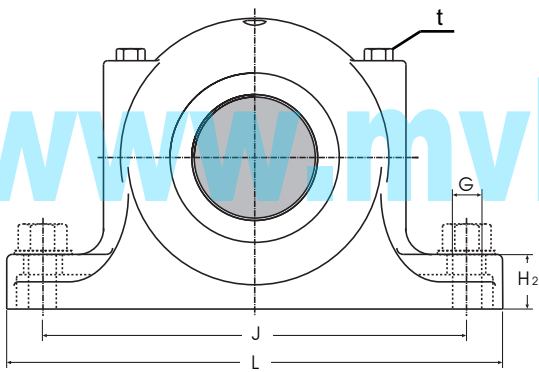
Plummer Blocks, 剖分式轴承座

Split Bearing Housings, Split Pillow Block Housings



SN500/SSN500 Series For Self-Aligning Ball Bearings or Spherical Roller Bearings with Adapter Sleeves

Stehlagergehäuse · Paliers à semelle en 2 parties · Soportes de rodamientos · Soportes de Pie · Soportes Bipartidos · CHUMACERAS
 CHUMACEIRAS · Корпуса подшипников · Стационарные подшипниковые узлы · Supporti ritri in due metà



Housing No.	NOMINAL DIMENSIONS(mm)															
	SHAFT DIA. d1		D H8	L	b	H2	F H12	H h12	A	H1	J	n	L1	X	Z	d2 H12
	METRIC	INCH														
SN505	20	3/4	52	165	46	22	25	40	67	75	130	25	-	22	-	21.5
SN506	25	1	62	185	52	22	30	50	77	90	150	25	-	22	-	26.5
SN507	30	1 1/8	72	185	52	22	33	50	82	95	150	25	-	24	-	31.5
SN508	35	1 1/4	80	205	60	25	33	60	85	110	170	30	-	26	-	36.5
SN509 SSN509	40	1 1/2	85	205	60	25	31	60	85	112	170	30	-	28	-	41.5
SN510 SSN510	45	1 3/4	90	205	60	25	33	60	90	115	170	30	-	28	-	46.5
SN511 SSN511	50	2	100	255	70	28	33	70	95	130	210	35	160	30	54	51.5
SN512 SSN512	55	2 1/8	110	255	70	30	38	70	105	135	210	35	172	32	62	56.5
SN513 SSN513	60	2 1/4	120	275	80	30	43	80	110	150	230	40	172	36	62	62
SN515 SSN515	65	2 1/2	130	280	80	30	41	80	115	155	230	40	182	38	68	67
SN516 SSN516	70	2 3/4	140	315	90	32	43	95	120	175	260	50	184	40	68	72
SN517 SSN517	75	3	150	320	90	32	46	95	125	185	260	50	184	42	70	77
SN518 SSN518	80	3 1/4	160	345	100	35	62.4	100	145	195	290	50	204	50	81	82
SN519 SSN519	85	-	170	345	100	35	53	112	140	210	290	50	-	-	-	87
SN520 SSN520	90	3 1/2	180	380	110	40	70.3	112	160	218	320	60	224	54	90	92
SN522 SSN522	100	4	200	410	120	45	80	125	175	240	350	70	232	60	92	102
SN524 SSN524	110	4 1/4	215	410	120	45	86	140	185	270	350	70	248	64	95	113
SN526 SSN526	115	4 1/2	230	445	130	50	90	150	190	290	380	70	268	64	100	118
SN528 SSN528	125	5	250	500	150	50	98	150	205	305	420	80	286	70	108	128
SN530 SSN530	135	5 1/4	270	530	160	60	106	160	220	325	450	90	304	76	113	138
SN532 SSN532	140	5 1/2	290	550	160	60	114	170	235	345	470	90	320	80	122	143

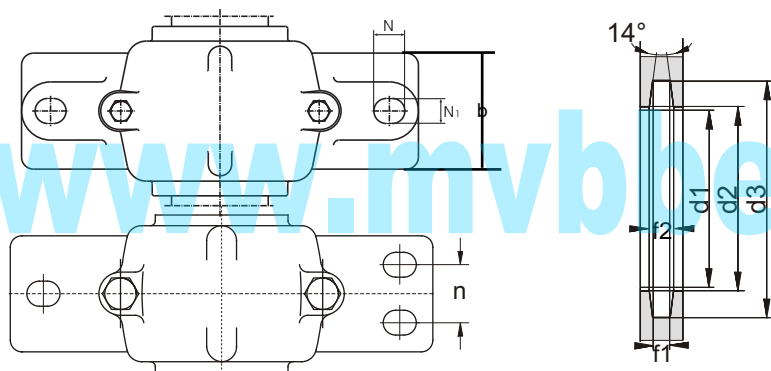
Plummer Blocks,剖分式轴承座

Split Bearing Housings, Split Pillow Block Housings



SN500/SSN500 Series For Self-Aligning Ball Bearings or Spherical Roller Bearings with Adapter Sleeves

Stehlagergehäuse · Paliers à semelle en 2 parties · Soportes de rodamientos · Soportes de Pie · Soportes Bipartidos · CHUMACERAS
CHUMACEIRAS · Корпуса подшипников · Стационарные подшипниковые узлы · Supporti ritri in due metà



NOTES:

Foot of standard housing SSN type is solid without mounting holes or can be precast as 2-bolt (with prefix T) or 4-bolt mounting holes (with prefix F).

Taconite seal will be supplied as optional for perfect arrangement in severe operating conditions to prevent contamination from fine abrasive dust.

ZF urbber seals can be supplied upon request.

NOMINAL DIMENSIONS(mm)								BEARING NO.		ADAPTER SLEEVE		LOCATING RING			
d3 H12	t	f1 H13	f2	N1	N	G		WEIGHT(kg)		SELF-ALIGNING BALL	SPHERICAL ROLLER	METRIC	INCH	NUMBER	QTY
						2 bolt	4 bolt	SN5	SSN5						
31	M8	3	4.2	15	20	M12	M8	1.5	2.3	1205 K	22205 K	H 205	HE 205	52x5	2
										2205 K					
38	M8	4	5.4	15	20	M12	M10	1.74	2.8	1206 K	22206 K	H 206	HE 206	62x7	2
										2206 K					
43	M10	4	5.4	15	20	M12	M10	1.9	3.2	1207 K	22207 K	H 207	HE 207	72x8	2
										2207 K					
48	M10	4	5.4	15	20	M12	M10	2.63	3.2	1208 K	22208 K	H 208	HE 208	80x7.5	2
										2208 K					
53	M10	4	5.4	15	20	M12	M10	2.64	3.7	1209 K	22209 K	H 209	HS 209	85x6	2
										2209 K					
58	M10	4	5.4	15	20	M12	M10	2.8	3.8	1210 K	22210 K	H 210	HE 210	90x6.5	2
										2210 K					
67	M12	5	6.9	18	23	M16	M12	4.32	6.2	1211 K	22211 K	H 211	HE 211	100x6	2
										2211 K					
72	M12	5	6.9	18	23	M16	M12	4.99	6.5	1212 K	22212 K	H 212	HE 212	110x8	2
										2212 K					
77	M12	5	6.8	18	23	M16	M12	5.64	8.3	1213 K	22213 K	H 213	HE 213	120x10	2
										2213 K					
82	M12	5	6.8	18	23	M16	M12	6.19	9	1215 K	22215 K	H 215	HS 215	130x8	2
										2215 K					
89	M16	6	8.1	22	27	M20	M12	8.17	12.1	1216 K	22216 K	H 216	HE 216	140x8.5	2
										2216 K					
94	M16	6	8.1	22	27	M20	M12	9.37	12.2	1217 K	22217 K	H 217	HE 217	150x9	2
										2217 K					
99	M16	6	8.1	22	27	M20	M16	11.5	15.2	1218 K	22218 K	H 218	HE 218	160x16.2	2
										2218 K					
104	M16	6	8.1	22	28	M20	M16	13.5	17.7	1219 K	22219 K	H 219	HE 219	170x10.5	2
										-					
111	M20	7	9.3	26	32	M24	M16	16.3	20.5	2220 K	23220 K	H 320	HE 320	180x12.1	2
										-					
125	M20	8	10.8	26	32	M24	M16	25.1	29.2	2222 K	23222 K	H 322	HE 322	200x13.5	2
										-					
135	M20	8	10.7	26	34	M24	M16	27.2	33	-	23224 K	H 3124	HE 3124	215x14	2
										-					
140	M24	8	10.7	28	35	M24	M20	35.2	40.9	-	23226 K	H 3126	HE 3126	230x13	2
										-					
154	M24	9	12.2	34	44	M30	M24	43.7	48.6	-	23228 K	H 3128	HE 3128	250x15	2
										-					
164	M24	9	12.2	34	42	M30	M24	45.3	56.2	-	22230 K	H 3130	HE 3130	270x16.5	2
										-					
173	M24	10	13.7	32	44	M30	M24	50.8	68.5	-	22232 K	H 3132	HE 3132	290x17	2
										-					