

# Plummer Blocks, 剖分式轴承座

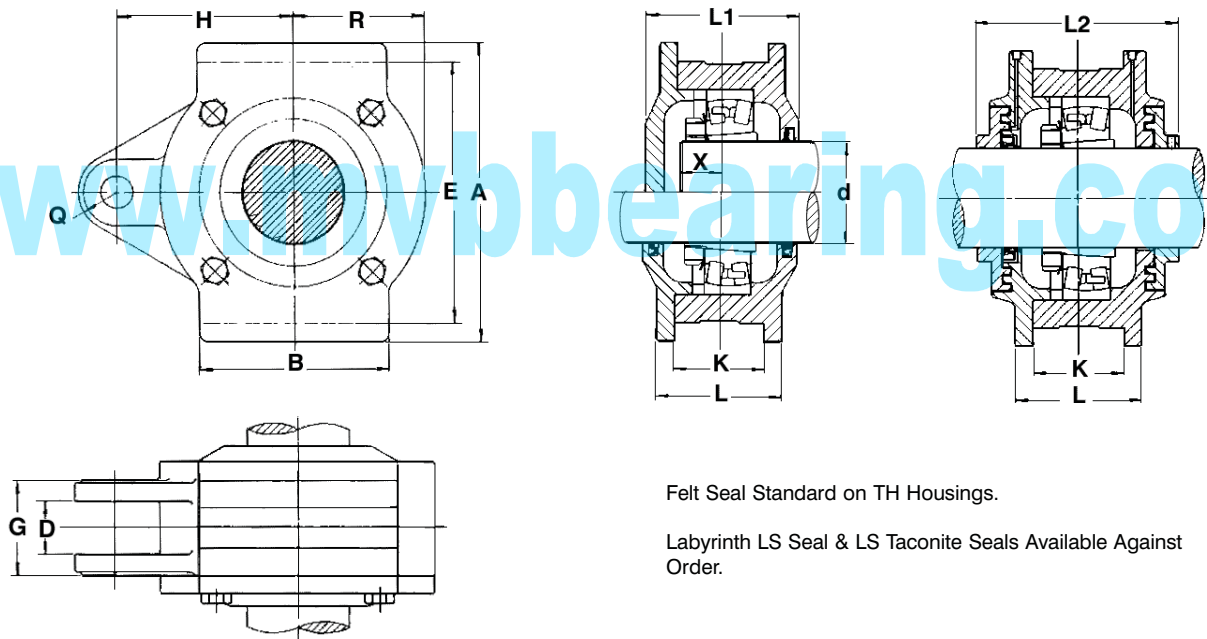
## Split Bearing Housings, Split Pillow Block Housings



### TH500 Series

For Self-Aligning Ball Bearings or Spherical Roller Bearings with Adapter Sleeves

Stehlagergehäuse · Paliers à semelle en 2 parties · Soportes de rodamientos · Soportes de Pie · Soportes Bipartidos · CHUMACERAS  
CHUMACEIRAS · Корпуса подшипников · Стационарные подшипниковые узлы · Supporti ritri in due metà



Felt Seal Standard on TH Housings.

Labyrinth LS Seal & LS Taconite Seals Available Against Order.

Unit No	Shaft Dia. d E M (in)(mm)	Dimensions (mm)										Pin Dia	Bearing No		Adapter Sleeve No		Spacer Ring No.	Hole Dia			
		E	K	A	L	H	O	G	B	Q	R		L1	L2	X	Ball			Roller	Metric	Inch
TH508	1-1/4 35	104.77	53.97	124	73	76	28	51	89	25	52	82	114	22.2	19.05	1208K	H208	HE208	80 x 5	2	21
																2208K	H308	HE308	80 x 7.5	1	
																22208K	H308	HE308	80 x 10	1	
TH509	1-1/2 40	104.77	53.97	124	73	76	28	51	89	25	52	82	114	23.8	19.05	1209K	H209	HE209	85 x 6	2	21
																2209K	H309	HE309	85 x 8	1	
																22209K	H309	HE309	85 x 8	1	
TH510	1-3/4 45	120	54	140	75	90	30	50	100	25	65	90	120	25.4	19.05	1210K	H210	HE210	90 x 6.5	2	21
																2210K	H310	HE310	90 x 10	1	
																22210K	H310	HE310	90 x 10	1	
TH511	2 50	120	54	140	75	90	30	50	100	25	65	90	120	27.0	19.05	1211K	H211	HE211	100 x 6	2	21
																2211K	H311	HE311	100 x 8	1	
																22211K	H311	HE311	100 x 8	1	
TH513	2-1/4 60	152.40	68	171	86	110	32	57	114	25	82	102	133	28.5	19.05	1213K	H213	HE213	120 x 10	2	21
																2213K	H313	HE313	120 x 12	1	
																22213K	H313	HE313	120 x 12	1	
TH515	2-1/2 65	165	68	185	90	120	32	65	115	30	90	110	155	30.1	19.05	1215K	H215	HE215	130 x 8	2	21
																2215K	H315	HE315	130 x 10	1	
																22215K	H315	HE315	130 x 10	1	
TH516	2-3/4 70	197	79.4	222	105	135	41	73	140	28	102	121	159	36.5	22.2	1216K	H216	HE216	140 x 8.5	2	24
																2216K	H316	HE316	140 x 10	1	
																22216K	H316	HE316	140 x 10	1	
TH517	3 75	197	79.4	222	105	135	41	73	140	28	102	124	162	41.3	22.2	1217K	H217	HE217	150 x 9	2	24
																2217K	H317	HE317	150 x 10	1	
																22217K	H317	HE317	150 x 10	1	
TH518	3-1/4 80	196.9	77	222	106	140	41	76	152	32	108	121	159	39.7	25.4	1218K	H218	HE218	160 x 16.2	2	27
																2218K	H318	HE318	160 x 11.2	2	
																22218K	H318	HE318	160 x 11.2	2	
TH520	3-1/2 90	212.7	77	241	106	152	41	77	152	35	117	122	160	44.4	28.57	1220K	H220	HE220	180 x 12.1	1	30
																			180 x 10	1	
																2220K	H320	HE320	180 x 10	1	
																22220K	H320	HE320	180 x 10	1	
TH522	4 100	241.30	90.49	279	128	190	44	89	203	38	127	156	194	50.8	31.75	1222K	H222	HE222	200 x 21	2	33.5
																2222K	H322	HE322	200 x 13.5	2	
																22222K	H322	HE322	200 x 13.5	2	

Unless specified "B" type covers supplied. One housing per set should include spacer rings.