

Plummer Blocks, 剖分式轴承座

Split Bearing Housings, Split Pillow Block Housings

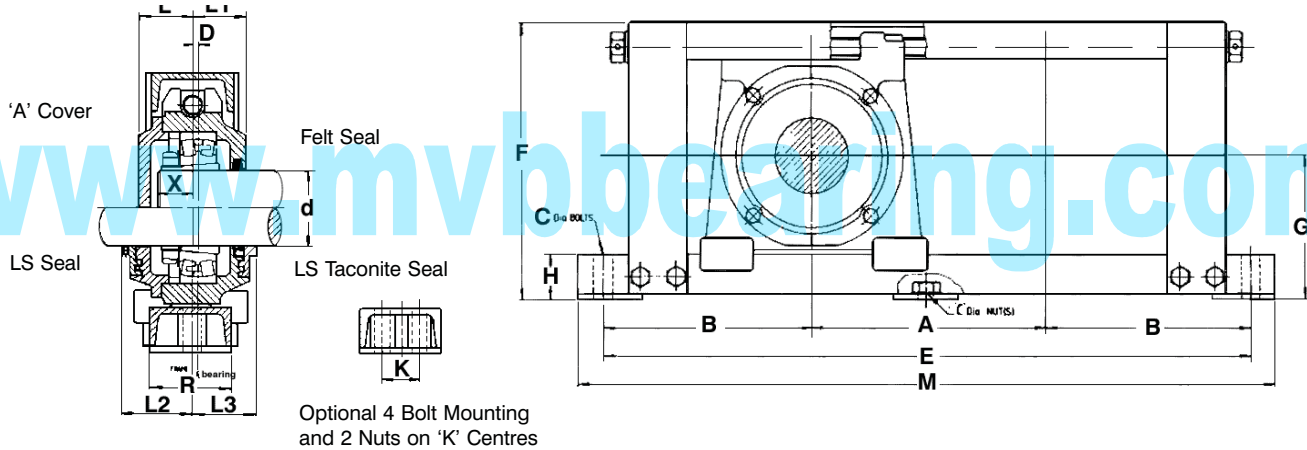


TU500 Series

For Self-Aligning Ball Bearings or Spherical Roller Bearings with Adapter Sleeves

Stehlagergehäuse · Paliers à semelle en 2 parties · Soportes de rodamientos · Soportes de Pie · Soportes Bipartidos · CHUMACERAS
CHUMACEIRAS · Корпуса подшипников · Стационарные подшипниковые узлы · Supporti ritri in due metà

Felt Seal Standard on TU Housings.
Labyrinth LS Seal & LS Taconite Seals Available Against Order.



Unit No	Housing No.	Shaft Dia, d (in) (mm)	Dimensions (mm)														Bearing No.		Adapter Sleeve		Spacer Ring	Allow. Frame kN	
			A	B	C	M	E	F	G	H	K	R	L	L1	L2	L3	X	U	Ball	Roller			Metric
TU511-500	TU511	2	50	187	M16	938	874	213	107.5	44	76	52	52	67	67	25	0	1211K	H211	HE211	2-100 x 6	49.00	
																		4	2211K	H311	HE311		1-100 x 8
																		4	22211K	H311	HE311		1-100 x 8
TU513-500	TU513	2-1/4	60	219	M16	1014	938	230	117	44	40	76	50	50	70	70	24	5	1213K	H213	HE213	2-120 x 10	49.00
																		12	2213K	H313	HE313	1-120 x 12	
																		12	22213K	H313	HE313	1-120 x 12	
TU515-500	TU515	2-1/2	65	224	M16	1024	948	242	123.5	44	40	76	55	55	76	76	30	0	1215K	H215	HE215	2-130 x 8	49.00
																		4.5	2215K	H315	HE315	1-130 x 10	
																		4.5	22215K	H315	HE315	1-130 x 10	
TU516-500	TU516	2-3/4	70	228	M16	1031	956	255	133	44	40	76	56	56	83	83	32	-1.5	1216K	H216	HE216	2-140 x 8.5	58.80
																		3.5	2216K	H316	HE316	1-140 x 10	
																		3.5	22216K	H316	HE316	1-140 x 10	
TU517-500	TU517	3	75	245	M16	1050	990	298	158	59	50	102	60	60	84	84	34	0	1217K	H217	HE217	2-150 x 9	58.80
																		5	2217K	H317	HE317	1-150 x 10	
																		5	22217K	H317	HE317	1-150 x 10	
TU518-500	TU518	3-1/4	80	245	M16	1050	990	298	158	59	50	102	60	60	84	84	34	0	1218K	H218	HE218	2-160 x 10	58.80
																		5	2218K	H318	HE318	1-160 x 10	
																		5	22218K	H318	HE318	1-160 x 10	
TU520-500	TU520	3-1/2	90	268	M16	1122	1036	316	167	59	50	102	68	68	92	92	39	5	1220K	H220	HE220	2-180 x 12.1	58.80
																		11	2220K	H320	HE320	1-180 x 12.1	
																		11	22220K	H320	HE320	1-180 x 12.1	
TU522-500	TU522	4	100	285	M16	1153	1070	340	174	59	50	102	71	71	96	96	41	5	1222K	H222	HE222	2-200 x 12.5	58.80
																		10	2222K	H322	HE322	1-200 x 10	
																		10	22222K	H322	HE322	1-200 x 10	
TU524-500	TU524	4-1/4	110	316.5	M24	1208	1133	432	224	84	75	152	98	94	127	116	53	5	22224K	H3124	HE3124	2-215 x 17.8	68.60
																		13.5	23224K	H2324	HE2324	1-215 x 17.6	
																		5	22226K	H3126	HE3126	2-230 x 13	
TU526-500	TU526	4-1/2	115	316.5	M24	1208	1133	432	224	84	75	152	98	94	127	116	58	5	22226K	H3126	HE3126	2-230 x 13	68.60
																		10	23226K	H2326	HE2326	1-230 x 10	
																		5	22228K	H3128	HE3128	2-250 x 15	
TU528-500	TU528	5	125	340	M24	1255	1180	459	239	84	75	152	100	100	122	122	66	5	22228K	H3128	HE3128	2-250 x 15	68.60
																		10	23228K	H2328	HE2328	1-250 x 10	
																		4.5	22232K	H3132	HE3132	2-290 x 17	
TU532-500	TU532	5-1/2	140	395	M24	1370	1290	501	259	84	75	152	124	100	152	130	76	4.5	22232K	H3132	HE3132	2-290 x 17	68.60
																		9.5	23232K	H2332	HE2332	1-290 x 10	
TU534-500	TU534	6	150	440	M30	1470	1380	525	263	88	100	206	135	108	162	134	73	4.5	23134K	H3134	HE3134	2-280 x 15	78.40

Housing travel lengths, other than 500mm, are available against order.
Larger size housings available on request.
Unless specified "B" type open covers and 2 bolt frame mounting supplied.
One housing per set should include spacer rings.